



Product model: DIN11-IAP-AC/50A~1000A

## ■ Product Introduction

Working principle: open-loop direct measurement type

Product use: Used for measuring DC, AC, pulse current and any waveform current of other devices

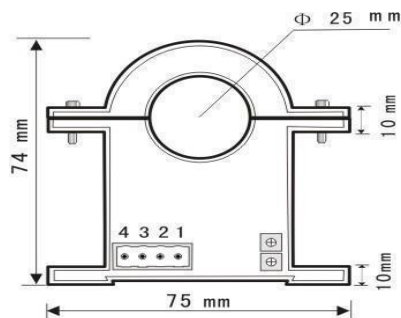
Product advantages: Best performance/price ratio, power consumption, small size, light weight, easy installation, perforated input, no insertion loss

Product Applications: Variable Frequency Speed Control System, Welding Machine, Electrochemistry, Power Monitoring, Electric Locomotive, Motor Start Protection

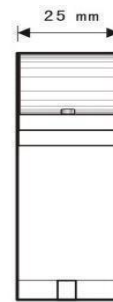
## ■ performance parameter

- Installation method : Fixed with flat screws
- Primary rated current: 50A; 100A; 200A; 500A; 800A; 1000A; User specified
- Original measurement range: 100A-1200A
- Rated output : 5V; DC0~20mA; DC4~20mA; User specified
- Auxiliary power supply : DC12V ,DC24V , DC±12V ,DC±15V
- Load capacity Voltage output: 5mA; Current output: 6V : 0.5%
- Accuracy Linearity 1% follows ● di/dt : >50A/uS
- Isolation and voltage resistance : 2.5kV/50Hz, 1Min ● Consumption current : ≤25mA
- Unbalanced voltage ≤ 20mV time ● Response : <200ms
- temperature drift : ≤ 500ppm/°C ● Operating temperature : -10°C~+70°C
- Frequency bandwidth :DC~20KHz ● Storage temperature : -25°C~+85°C

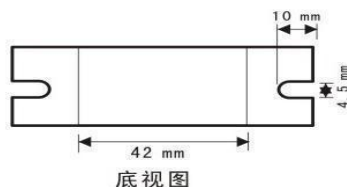
## ■ Product dimensions and wiring definition diagram



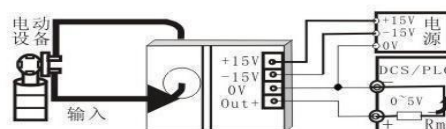
正视图



侧视图



底视图



副边连接: 1. +15V 2. -15V  
3. 输出 4. 0V