

## Isolated Potentiometer Signal to DC Analog Signal Transmitter

**Features:**

- >>Accuracy Grade: 0.1/0.2
- >>Extremely high linearity in whole process(nonlinearity<0.05%)
- >>Need not calibrate
- >>Input potentiometer signal: 0-50Ω/0-100Ω/0-200Ω/0-500Ω /0-1KΩ/0-2KΩ/0-5KΩ /0-10KΩ
- Output standard voltage signal: 0-5V/0-10V/1-5V/0-±5V/0-±10V
- Output standard current signal: 0-10mA/0-20mA/4-20mA,with high load capability.
- >>Three-port isolation: 2500VDC input/power supply/output.
- >>Power supply: 24VDC/12VDC/5VDC
- >>Install styles: DIN35 Rail-mounted
- >>Position transmitter signal amplify/converter/isolation/transfer
- >>Dimension: 79.0x69.5x25mm



**Application:**

- >> Displacement measurement, angle measurement
- >> Potentiometer, electronic ruler signal isolation transmitter
- >> Resistance measurement transmitter

**Overview:**

WAYJUN Potentiometer signal transmitter products are mainly used for the isolation and transmission of 0-5K ,0-10K displacement or angle sensors, mainly used for signal isolation and transmission in industry. The transmitter input using a constant voltage drive, suitable for 3-wire sensor.2-wire sensor can also be customized according to the requirements of a constant current drive mode. Input, output and auxiliary power supply three isolation, can be withstand 2500VDC isolation voltage. DIN35 international standard rail mounting, small size, high precision, stable performance, cost-effective, Can be widely used in the industries of petroleum, chemical, electrical, instrumentation and industrial control.

**Product List:**

### DIN11 IAP - R□ - P□ - V/A□

Input Signal		Power Supply		Output Signal			
	Code	Power	Code	Current	Code	Voltage	Code
0-50 Ω	R1	24VDC	P1	0-20ma	A3	0-5V	V1
0-100 Ω	R2	12VDC	P2	4-20ma	A4	0-10V	V2
0-200 Ω	R3	5VDC	P3	0-±20mA	A6	0-±5V	V4
0-500 Ω	R4	15VDC	P4	User-defined	Au	1-5V	V6
0-1K Ω	R5					User-defined	Vu
0-2K Ω	R6						
0-5K Ω	R7						
0-10K Ω	R8						
User-defined	Ru						

Samples:

1. Input: 0-5K Ω power supply:24VDC output:4-20mA Part No.:DIN11 IAP R7-P1-A4

2. Input: 0-10K $\Omega$  power supply:12VDC output: 0-5V Part No.:DIN11 IAP R8-P2-V1

**General parameters:**

- >> Accuracy ----- 0.2% (relative to temperature)
- >> Input ----- displacement, angle sensors, potentiometer, resistance signal
- >> Output ----- standard voltage or current signal. Can also be user-defined
- >> Response time -----  $\leq 10\text{mS}$
- >> Auxiliary power ----- DC5V, 9V, 12V, 15V, 24V
- >> Power -----  $<1\text{W}$
- >> Temperature drift ----- 50ppm /  $^{\circ}\text{C}$  (typical)
- >> Load capacity ----- voltage output:  $\geq 2\text{ k}\Omega$   
Current output:  $\leq 450\Omega$
- >> Isolation ----- signal input / output / output / auxiliary power isolation
- >> Isolation voltage ----- 2500VDC, 1 minute, leakage current (1mA)
- >> Impact resistance voltage ----- 3KV, 1.2/50us (peak value)
- >> Operating Temperature ----- -40 to +85  $^{\circ}\text{C}$
- >> Storage Temperature ----- -45 ~ +80  $^{\circ}\text{C}$
- >> Operating Humidity ----- 10 ~ 90% (no condensation)
- >> Storage Humidity ----- 10 ~ 95% (no condensation)

**Products Connecting Diagram:**

Pin	Function		Pin	Function	
1	Vcc	Power Supply+	7	IN+	Potentiometer center
2	NC	No PIN	8	IN-	Reference ground
3	GND	Power Supply-	9	NC	No PIN
4	Out+	Output Signal +	10	VREF	Reference voltage output
5	Out-	Output Signal -	11	NC	No PIN
6	NC	No PIN	12	NC	No PIN

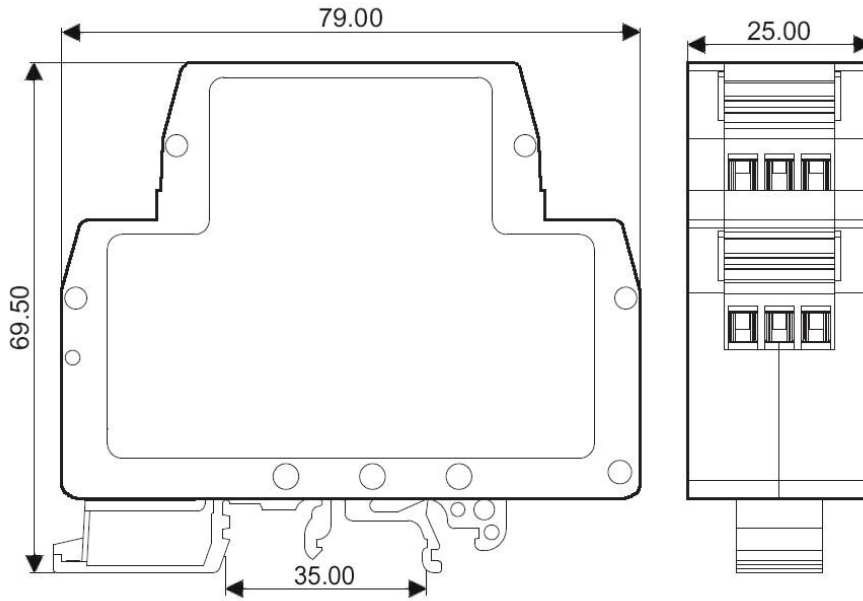


Top View

**Note:**

1. If the output signal is converse to displacement or angle signal, will exchange PIN8 and PIN10
2. If it is a two-wire sensor, it need to be customized to the constant current driver, connect PIN7 and PIN8 directly.

Size:(mm)



**Warranty**

Two years (but violate operating rules and requirements to create damage, clients need pay maintenance costs)

**Copyright**

Copyright © 2010 **Shenzhen WAYJUN Industrial Automation**

Specifications subject to change without notice.

**Brand**

In this manual, mentioned other trademarks and copyright belongs to their respective owners.