

Speed signal isolation transmitter, sine wave shaping

Features:

- >> Speed sensor signal input, shaping square wave signal
- >> 200mV peak weak signal amplification and shaping
- >> Sine wave, sawtooth signal input, square wave signal output
- >> No changing the original waveform frequency, fast response
- >> Input / output / power supply three-port 3000VDC isolation
- >> Power supply: 5V, 12V, 15V or 24V DC single power supply
- >> Low cost, small size, easy to use, high reliability
- >> Standard DIN35 rail mounting
- >> Size: 106.7x79.0x25.0mm
- >> Industrial temperature range: - 45 to + 85 ° C

Application:

- >> Speed sensor signal isolation, acquisition and conversion
- >> Motor speed measurement
- >> Car ABS anti-lock braking system
- >> Speed signal amplification and shaping
- >> Ground interference suppression
- >> Motor speed monitoring system
- >> Velocity measurement alarm
- >> Signal no distortion transmitter and transmission



Product Listing:

DIN11 IAP – S□ - P□ – O□

Input Signal		Power Supply		Output Signal	
	Code	Power	Code		Code
+/-signal input, sine wave input, peak value (VP-P): 200mV~50V	S1	24VDC	P1	output level 0-5V	O1
single signal input, peak value (VP-P): 5V	S2	12VDC	P2	output level 0-12V	O2
single signal input, peak value (VP-P): 12V	S3	5VDC	P3	output level 0-24V	O3
single signal input, peak value (VP-P): 24V	F4	15VDC	P4	Open collector output	O4
User-defined	Su	User-defined	Pu	User-defined	Ou

Samples:

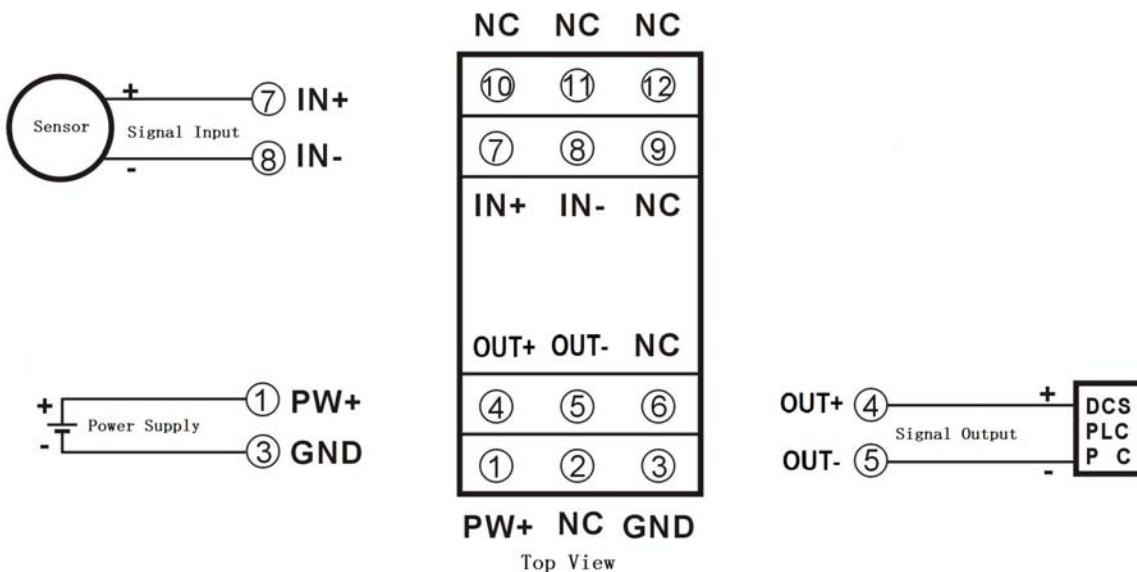
1. Input:Speed sensor, sine wave VP-P: 200mV~10V,Power Supply:24V,Output:0-5V level Type No.:DIN11 IAP S1-P1-O1
2. Input:Speed sensor, sine wave VP-P: 200mV~10V,Power Supply:12V,Output:0-24V level Type No.:DIN11 IAP S1-P2-O3
3. Input:0-5V level Power Supply:24V Output:0-24V level Type No.:DIN11 IAP S2-P1-O3
4. Input:0-5V level Power Supply:12V Output:Open collector output Type No.:DIN11 IAP S2-P2-O4
5. Input:user-defined Power Supply:24V Output:user-defined Type No.:DIN11 IAP Su-P1-Ou
6. Input:differential signal Power Supply:24V Output:Open collector output Type No.:DIN11 IAP Su-P1-O4(Su:differential signal)

Technical Parameter:

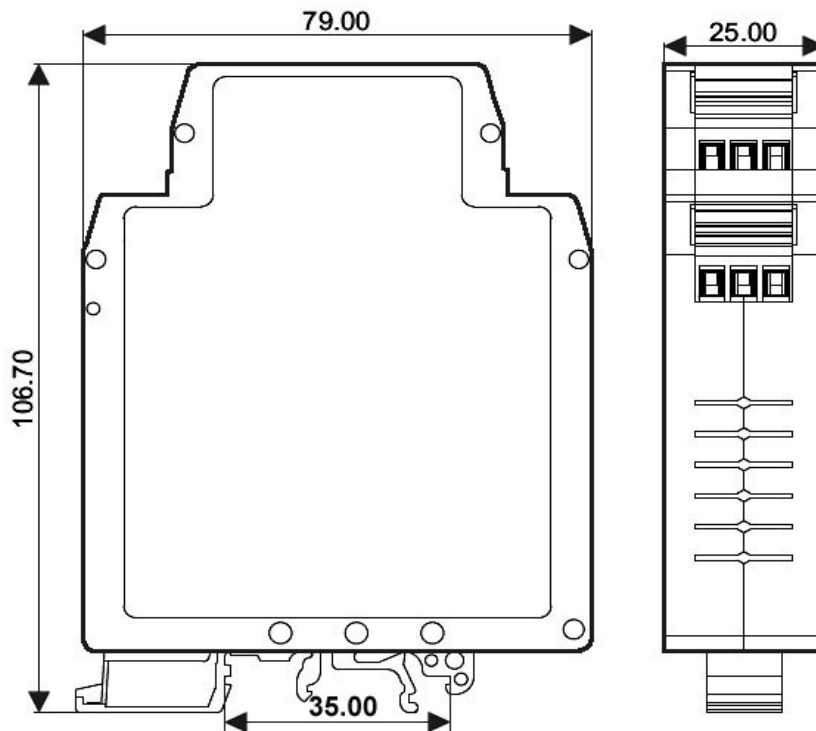
Parameter Name		Test Condition	MIN.	TYP	MAX.	Unit
Isolated Voltage		1min	1500	2500		VDC
Input Signal	Amplitude (V_{P-P})		0.2	10	60	V
	Frequency		0	10	500	kHz
	Input impedance		10			Kohm
	Input current	5V input		0.45		mA
Output Signal	Amplitude (V_{P-P})	O1: output level 0-5v		5		V
	Frequency		0	10	500	KHz
	Voltage(High level)	O1: output level 0-5v		5		V
	Voltage(Low level)			0	0.05	V
	Current(High level)			2	5	mA
	Current(Low level)			2	8	mA
	Voltage	Output: Open collector output		5	30	V
	Current			3	10	mA
Response Time				1500		ns
Power supply	Voltage	User-defined	3.3	12	24	VDC
	Current	VD=12V		83		mA
Power Supply Loss				1		W
Work Environment Temperatuer			-25		85	°C
Storage Temperature			-25		85	°C

Pin Definitions:

Pin	Name	Described	Pin	Name	Described
1	PW+	Power supply+	7	IN+	signal input +
2	NC	No Pin	8	IN-	signal input -
3	GND	Power supply-	9	NC	No Pin
4	OUT+	Signal output +	10	NC	No Pin
5	OUT-	Signal output -	11	NC	No Pin
6	NC	No Pin	12	NC	No Pin



Size(mm):



DIN35 Mounted

Note:

1. Before using, according to packing lists, and product labels, check the quantity, models and specifications
2. When measure the signal directly, please set the terminal tighten
3. There are no damaged insulation, conductive dust and corrosive fumes of metal in the environment
4. Installation pitch $\geq 10\text{mm}$
5. We have adjusted well, do not adjust arbitrarily
6. Warranty: two years. But if clients damage products by themselves or tear off any labels on the product, we can not exchange
7. Products can not been used in strong magnetic field
8. Internal no anti-lightning circuit
9. Specifications subject to change without notice

Warranty

Two Years

Copyright

Copyright © 2010 Shenzhen WAYJUN Industrial Automation