

mA&V to Frequency Signal Isolated Converter/Transmitter

Features:

- >> Accuracy class: 0.1, 0.2. Factory calibrated, the user can use directly
- >> Input :0-5V / 0-10V/1-5V ,0-10mA / 0-20mA/4-20mA
- >> output signal :0-5KHz / 0-10KHz/1-5KHz standard signal
- >> Auxiliary power supply: 5V, 9V, 12V, 15V or 24VDC
- >> Full scale high linearity (non-linearity <0.1%)
- >> Isolation voltage: 2500VDC (1mA, 60S)
- >> Three-port isolation:input / output / power supply
- >> Industrial temperature range: - 45 to + 85 ° C
- >> Mounting: DIN 35 rail installation
- >> Dimensions: 79x106.7x25mm



Application:

- >> Analog signal isolation, data collection and transformation
- >> 4-20mA isolation of the 0-5KHz signal transmission
- >> Industry scene signal isolation and transformation
- >> Signal long distance transmission without distortion
- >> Instrument signal transceiver
- >> Isolation power monitoring, medical equipment
- >> Voltage or current analog signal to frequency signal
- >> PLC frequency of the analog signal acquisition
- >> Non electrical signal transmission

Products Listing:

DIN11 IAP - V(A)□ - P□ - F□

Input Signal				Power Supply		Output Signal	
voltage	code	current	code	Power	code	frequency	code
0-5V	V1	0-1mA	A1	24VDC	P1	0-5KHz (5V voltage pulse)	F1
0-10V	V2	0-10mA	A2	12VDC	P2	0-10KHz (5V voltage pulse)	F2
0-75mV	V3	0-20ma	A3	5VDC	P3	1-5KHz (5V voltage pulse)	F3
0-2.5V	V4	4-20mA	A4	15VDC	P4	0-5KHz (open collector)	F4
0-±5V	V5	0-±10mA	A5	user-defined	Pu	0-10KHz (open collector)	F5
0-±10V	V7	0-±20mA	A6			1-5KHz (open collector)	F6
0-±100mV	V10	user-defined	Au			user-defined	Fu
user-defined	Vu						

Samples:

- | | | | |
|-----------------|-----------|-----------------------------------|------------------------------|
| 1: Input:0-5V | Power:24V | Output:0-5KHz (5V voltage pulse) | Type No.: DIN11 IAP-V1-P1-F1 |
| 2: Input:0-±10V | Power:24V | Output:0-5KHz (open collector) | Type No.: DIN11 IAP-V7-P1-F4 |
| 3: Input:4-20mA | Power:12V | Output:1-5KHz (5V voltage pulse) | Type No.: DIN11 IAP-A4-P2-F1 |
| 4: Input:0-75mV | Power:15V | Output:0-10KHz (5V voltage pulse) | Type No.: DIN11 IAP-V3-P4-F2 |

General parameters:

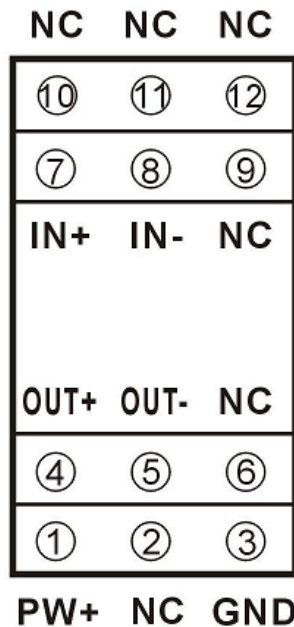
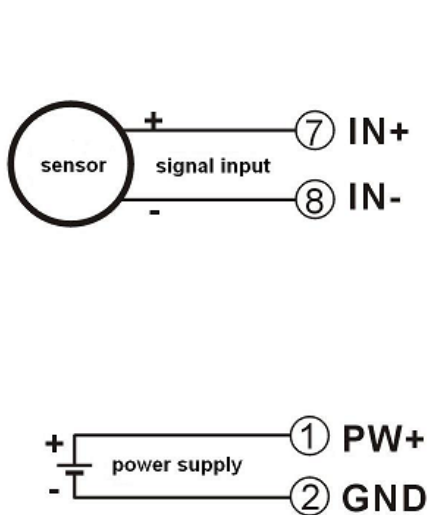
Accuracy: 0.1%, 0.2%

The input impedance: voltage input: $\geq 200K$
current input:100ohm

Load capacity : 5V voltage pulse output: $\geq 1 \text{ Kohm}$.
 open collector output: $\leq 50\text{mA}$ (5 ~ 30VDC)
 Response time : $\leq 10\text{mS}$
 Auxiliary power supply :DC5V, 9V, 12V, 15V, 24V or user defined
 Power : < 1W
 Temperature drift : 50ppm/ °C (typical)
 Three-port Isolation:signal input / output / auxiliary power supply
 Isolation voltage:2500VDC,1 minute, leakag current 1mA
 Impulse withstand voltage of : 3KV, 1.2/50us (peak)
 Working temperature is:40 ~ +85 °C
 Storage temperature:40 ~ +85 °C
 Working humidity:10 ~ 90% ((no condensatio)
 Storage humidity:10 ~ 95% ((no condensatio)

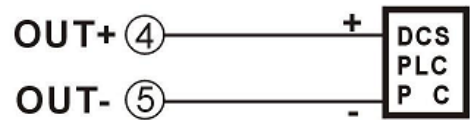
Products Connecting Diagram

Pin	Function	Pin	Function
1	PW+	7	IN+
2	NC	8	IN-
3	GND	9	NC
4	OUT+	10	NC
5	OUT-	11	NC
6	NC	12	NC

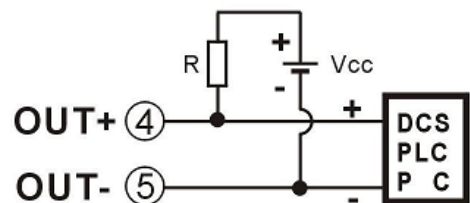


Top View

5V voltage pulse output connecting diagram



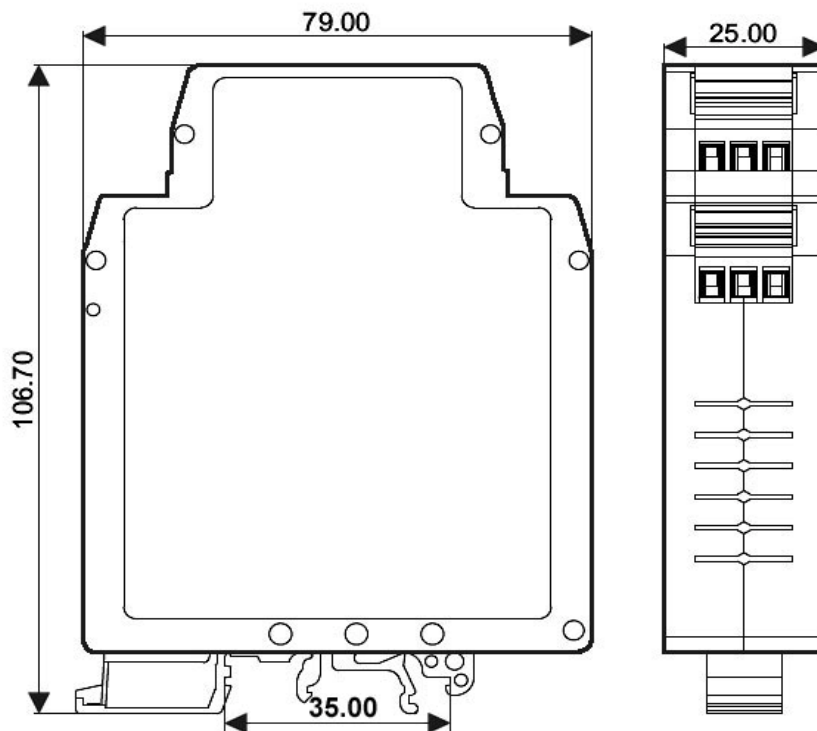
open collector output connecting diagram



External power and resistance reference value

Vcc=5V, R=2K
 Vcc=12V, R=5.1K
 Vcc=15V, R=6.8K
 Vcc=24V, R=10K

Size (unit:mm)

**Note:**

1. Before using, according to packing lists, and product labels, check the quantity, models and specifications
2. When measure the signal directly, please set the terminal tighten
3. There are no damaged insulation, conductive dust and corrosive fumes of metal in the environment
4. Installation pitch $\geq 10\text{mm}$
5. We have adjusted well, do not adjust arbitrarily
6. Warranty: two years. But if clients damage products by themselves or tear off any labels on the product, we can not exchange
7. Products can not been used in strong magnetic field
8. Internal no anti-lightning circuit
9. Specifications subject to change without notice

Warranty

Two years (but violate operating rules and requirements to create damage, clients need pay maintenance costs)

Copyright

Copyright © 2012 Shenzhen WAYJUN Industrial Automation

Specifications subject to change without notice.

Brand

In this manual, mentioned other trademarks and copyright belongs to their respective owners.