

## 0-100mA/0-1A/0-500mA large current signal isolator

### Features:

- >> Accuracy class: 0.1, 0.2
- >> Standard signal input :0-5V / 0-10V/1-5V ,0-10mA / 0-20mA/4-20mA so on.
- >> Standard signal output :0-100mA / 0-300mA / 0-500mA / 0-1A / 0-2A etc.current signal, or 0-1V(max 1A)/0-10V(max 500mA) etc.voltage signal.
- >> Power supply:5V/12V/15V/24V
- >> Signal Input / Output : 3000VDC isolation
- >> Non-isolation between output and power supply
- >> Installation: Mounting screws
- >> Size:106.7x79.0x25.0mm
- >> Operating temperature range: -45~+85deg.C



### Application:

- >> Industrial field signal isolation and amplification
- >> Current signal amplification
- >> Make the voltage signal drive capability strong
- >> Solenoid valves,proportional valves linear actuator
- >> Electromagnetic drive coils or power load
- >> Ground interference suppression

### Product Listing:

**DIN11 IAP - V(A)□ - P□ - V(A)□**

Input Signal				Power Supply		Output Signal			
voltage	code	current	code	Power	code	current	code	voltage	code
0-5V	V1	0-1mA	A1	24VDC	P1	0-20ma	A3	0~5V	V1
0-10V	V2	0-10mA	A2	12VDC	P2	4-20ma	A4	0-10V	V2
0-75mV	V3	0-20ma	A3	5VDC	P3	User-defined	Az	1-5V	V6
0-2.5	V4	4-20mA	A4	15VDC	P4			User-defined	Vz
User-defined	Vz	User-defined	Az						

**Note:**Please inform us the output load when ordering.

### Selection example:

Example 1: Input signal :0-10V Power supply: 24V Output signal :4-20mA

Model: **DIN11 IAP-V2-P1-A4**

Example 2: Input signal :0-10V Power supply: 12V output signal :0-10V

Model: **DIN11 IAP-V2-P2-V2**

Example 3: Input signal :0-3V Power supply: 24V Output signal :4-20mA

Model: **DIN11 IAP-Vz-P1-A4 (Vz:0-3V)**

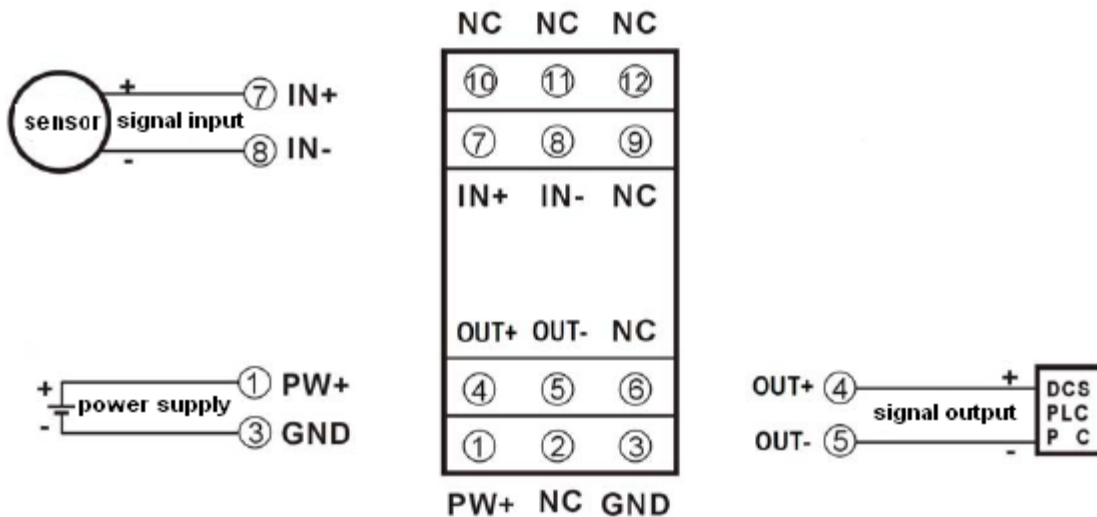
### General Parameter:

Parameter	Condition	MIN.	TYP.	MAX.	Unit
Isolation	Isolation between input and output, non-isolation between power supply and output				
Isolation voltage	50Hz, 1 minute, leakage current : 1mA		3000		VDC
Operating Temperature		-45		85	Deg.C
Storage Temperature		-45		85	Deg.C
Operating Humidity	no condensation	10		90	%
Storage Humidity	no condensation	10		90	%

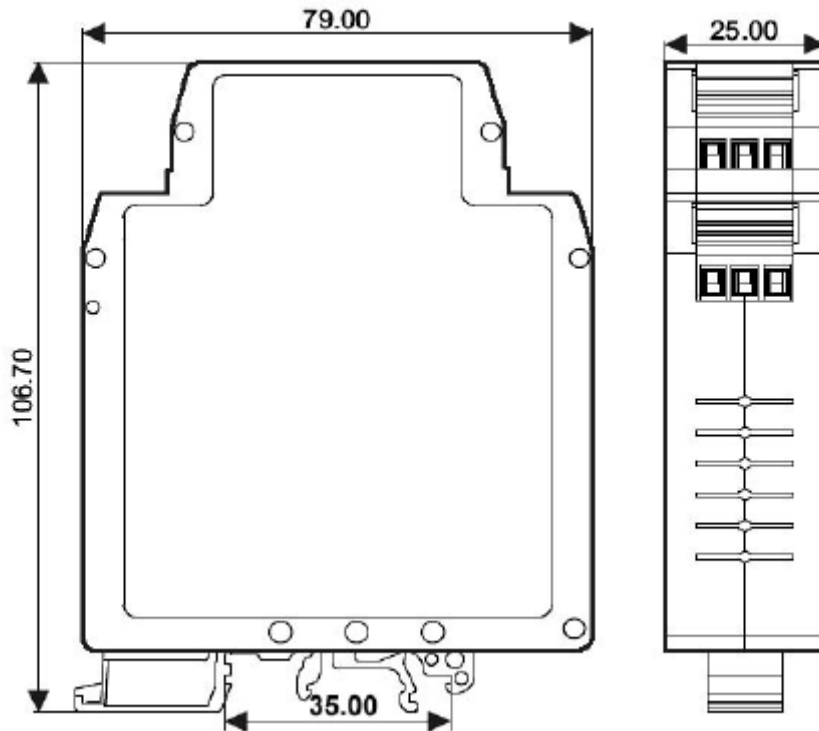
**Note:** All specifications measured at TA=25°C, humidity<75%, nominal input voltage and rated output load unless otherwise specified.

### Footprint Definitions:

PIN	Name	Function	PIN	Name	Function
1	PW+	Power Supply +	7	IN+	Signal input+
2	NC	NO connect	8	IN-	Signal input-
3	GND	Power Supply -	9	NC	NO connect
4	OUT+	Signal output+	10	NC	NO connect
5	OUT-	Signal output-	11	NC	NO connect
6	NC	NO connect	12	NC	NO connect



Mechanical Dimensions: (unit: mm)



**Note:**

1. Before using, according to packing lists, and product labels, check the quantity, models and specifications
2. When measure the signal directly, please set the terminal tighten
3. There are no damaged insulation, conductive dust and corrosive fumes of metal in the environment
4. Installation pitch  $\geq 10\text{mm}$
5. We have adjusted well, do not adjust arbitrarily
6. Warranty: two years. But if clients damage products by themselves or tear off any labels on the product, we can not exchange
7. Products can not been used in strong magnetic field
8. Internal no anti-lightning circuit
9. Specifications subject to change without notice

**Warranty**

Two years (but violate operating rules and requirements to create damage, clients need pay maintenance costs)

**Copyright**

Copyright © 2012 **Shenzhen WAYJUN Industrial Automation**

Specifications subject to change without notice.

**Brand**

In this manual, mentioned other trademarks and copyright belongs to their respective owners.

\* Specifications subject to change without notice