

DIN Rail Analog Signal Isolated Converters/Splitter (DIN14 Series ONE IN FOUR OUT)

Features:

- >>One input four output
- >>Accuracy ----- 0.1%, 0.2%
- >>Isolation ----- signal input / output / auxiliary power :3000VDC
- >>One standard signal input: 0-5V / 0-10V/1-5V, 0-10mA / 0-20mA/4-20mA
- >>Four standard output signal: 0-5V / 0-10V/1-5V, 0-10mA / 0-20mA/4-20mA
- >>Dimensions: 106.7x79.0x25.0mm
- >>Auxiliary power supply----- DC5V(± 10%), 12V,15V, 24V(8-32VDC)
- >>Insulation resistance ----- ≥ 20MΩ
- >>Operating Temperature ----- -25 to +70 ° C
- >>Pressure ----- signal input / output / auxiliary power
- >>Operating Humidity ----- 10 ~ 90% (no condensation)
- >>Storage Temperature ----- -45 ~ +80 ° C
- >>Impulse withstand voltage ----- 3KV, 1.2/50us (peak value)
- >>Storage humidity ----- 10 ~ 95% (no condensation)
- >>Size:120x70x43mm



Application:

- >> Analog signal data isolation, collection and transformation
- >> Isolated 4-20mA or 0-20mA signal transmission
- >> Signal isolation and conversion of industrial site
- >> Long-term signal transfer without distortion
- >> Instrument signal transceiver
- >> Power monitoring, medical equipment isolation
- >> Ground interference suppression
- >> PLC / FA motor control signal isolation

WAYJUN this product uses advanced isolated technology, quarantine inspection / monitoring DC voltage signal, small size, low power loss, high accuracy. Input/output/auxiliary power supply three isolation. Widely used in such fields as electricity, chemicals, petroleum, industrial and automatic control.

Product List:

DIN14 IAP - V(A)□ - P□ - V/A□

Input Signal				Power Supply		Output Signal			
Voltage	Code	Current	Code	Power	Code	Current	Code	Voltage	Code
0-5V	V1	0-1mA	A1	24VDC	P1	0-20ma	A3	0-5V	V1
0-10V	V2	0-10mA	A2	12VDC	P2	4-20ma	A4	0-10V	V2
0-75mV	V3	0-20ma	A3	5VDC	P3	User-defined	Az	1-5V	V6
0-2.5V	V4	4-20mA	A4	15VDC	P4			User-defined	Vz
User-defined	Vz	User-defined	Az	User-defined	Pz				

Samples:

- 1.Input:0-5V Power Supply:24V Output: four 4-20mA Type No.: DIN14 IAP V1-P1-A4
- 2.Input:0-10V Power Supply:24V Output: four 0-10V Type No.: DIN14 IAP V2-P1-V2
- 3.Input:4-20mA Power Supply:24V Output: four 4-20mA Type No.: DIN14 IAP A4-P1-A4

Products Absolute Maximum Ratings:

Continuous Isolation Voltage: 3000VDC

Operating temperature: +85 °C

Storage Temperature: +150 °C

Soldering temperature): +300 °C (10 seconds)

Supply voltage range: ± 10% Vin

Note: If you exceed this range, maybe cause products damage permanently

General Parameters:

Item	Test Condition	Min	Type	Max	Units
Isolation Voltage	50Hz,1min.,leak current 1mA		2500		VDC
Isolation	Input/Power Supply/Output				
Impact Voltage	3KV, 1.2/50us(peak value)				
Operation Temperature		-25		+70	°C
Operation Humidity	No condensation	10		90	%
Storage Temperature		-45		+80	°C
Insulation Resistance		20			MΩ
Storage Humidity		10		95	°C

Input Parameters

Item	impedance	Power loss	Over load capability
0-5V	≥300KΩ	Vout<0.6W Iout<1.5W	2.0 times Rated: Continuous
0-10V			
0-1mA	1KΩ		1.5 times Rated: Continuous 3.0 times Rated:1S
0-10mA	TYP: 250Ω or user-defined		
0-20mA			
4-20mA			

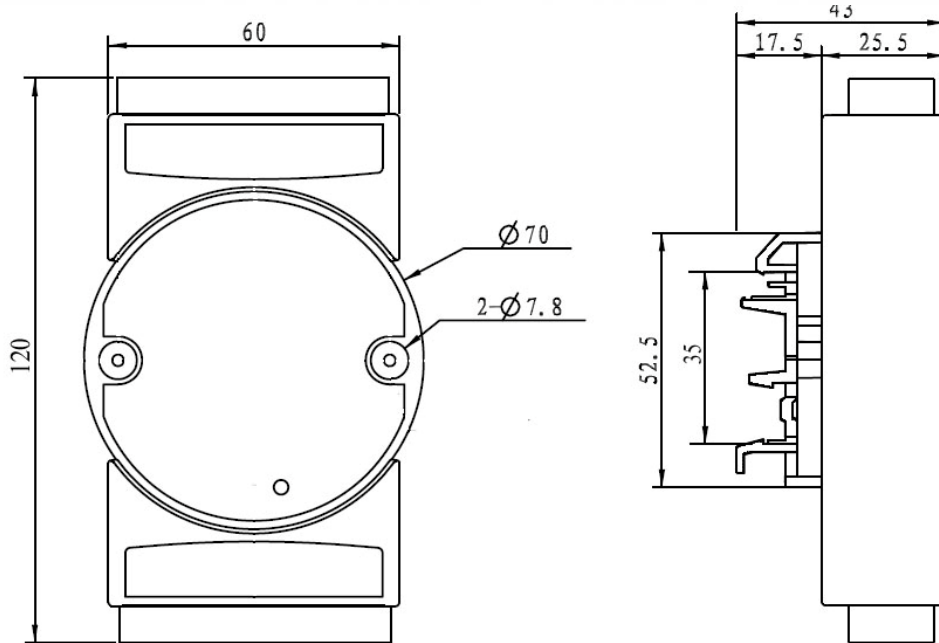
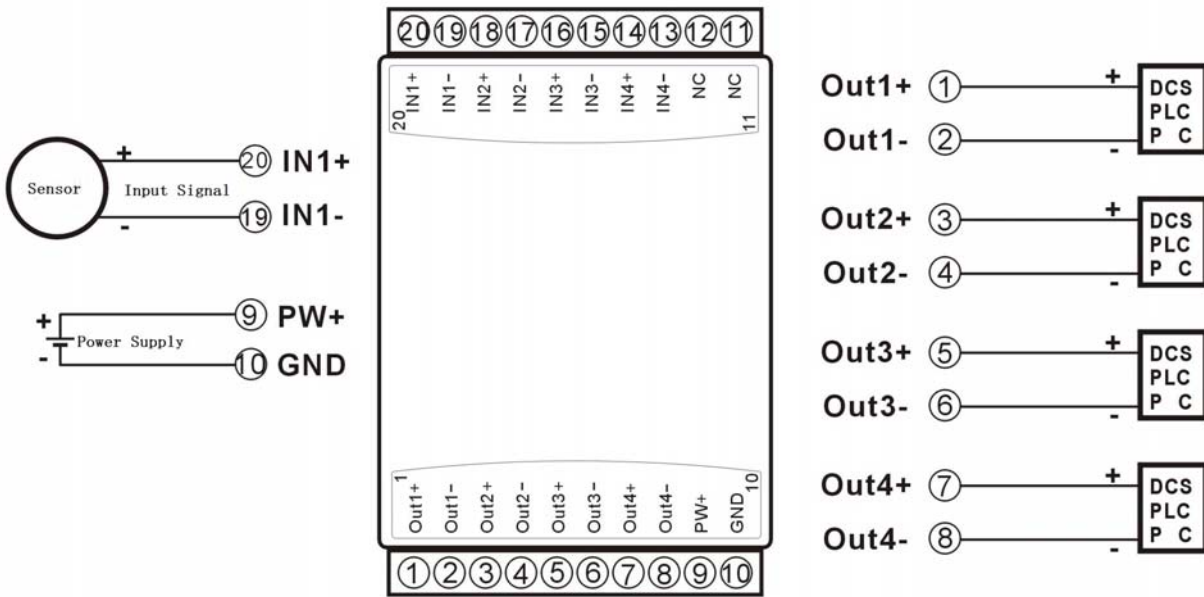
Output Parameters

Item	Over load capability	Response time
4-20mA	Load ≅ 350Ω	≤1mS
0-20mA		
0-5V	≥2KΩ	
0-10V		
1-5V		

Note: current output load needs 500ohm, please specified

Size and wire diagram:(mm)

PIN	Name	Description	PIN	Name	Description
1	OUT1+	Signal output 1+	11	NC	NO PIN
2	OUT1-	Signal output 1-	12	NC	NO PIN
3	OUT2+	Signal output 2+	13	IN4+	NO PIN
4	OUT2-	Signal output 2-	14	IN4-	NO PIN
5	OUT3+	Signal output 3+	15	IN3+	NO PIN
6	OUT3-	Signal output 3-	16	IN3-	NO PIN
7	OUT4+	Signal output 4+	17	IN2+	NO PIN
8	OUT4-	Signal output 4-	18	IN2-	NO PIN
9	PW+	Power supply+	19	IN1+	Signal Input +
10	GND	Power supply-	20	IN1-	Signal Input -



DIN35 Rail

Note:

1. Before using, according to packing lists, and product labels, check the quantity, models and specifications
2. When measure the signal directly, please set the terminal tighten
3. There are no damaged insulation, conductive dust and corrosive fumes of metal in the environment
4. Installation pitch $\geq 10\text{mm}$
5. We have adjusted well, do not adjust arbitrarily
6. Warranty: two years. But if clients damage products by themselves or tear off any labels on the product, we can not exchange
7. Products can not been used in strong magnetic field
8. Internal no anti-lightning circuit
9. Specifications subject to change without notice

10. Warranty

Two years (but violate operating rules and requirements to create damage, clients need pay maintenance costs)