

Differential signal/Pulse signal isolated Transmitter

(four input four output)

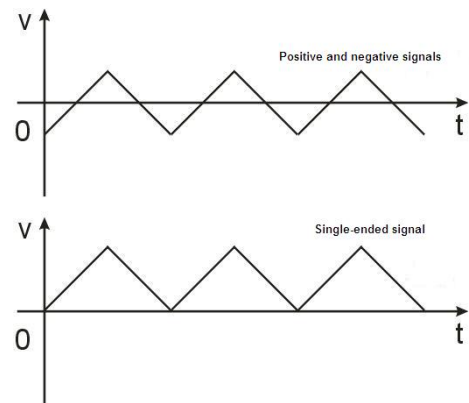
Features:

- >> Differential signal/Pulse signal isolated transmitters
- >> Support A, B, and Z three-phase differential simultaneous conversion
- >> four inputs, four outputs, selectable output pulse amplitude
- >> No change the original waveform frequency, response speed is over 500KHz
- >> Three-isolation :signal input/Power/signal output 3000VDC
- >> Power supply: 5V, 12V, 15V or 24V DC single power supply
- >> Low cost, high small size, ease of use, reliability
- >> Standard DIN35 rail mounting
- >> Dimensions: 120 mm x 70 mm x 43mm
- >> Industrial Temperature Range: - 45 ~ + 85 °C



Application:

- >> Encoder differential signal isolation, acquisition and conversion
- >> Differential encoder 24V square wave pulse signal transduction
- >> Servo encoder signals to the PLC differential
- >> Pulse signal amplification and shaping
- >> Ground interference suppression
- >> Motor speed monitoring system
- >> Speed measurement and alarm
- >> Signals without distortion transmission and transmission



Products Listing:

DIN44 IAP – S□ - P□ - O□

Signal input		Power		Signal output	
input	code	Power	code	output	code
+/-signal input,sine wave input,peak value(Vp-p):500mV~10V	S1	24VDC	P1	Output level 0-5V	O1
Single signal input,peak value(Vp-p):5V	S2	12VDC	P2	Output level 0-12V	O2
Single signal input,peak value(Vp-p):12V	S3	5VDC	P3	Output level 0-24V	O3
Single signal input,peak value(Vp-p):24V	S4	15VDC	P4	Open collector output	O4
5v differential pulse signal	S5			Differential signal	O5
User-defined	Su			User-defined	Ou

Products Samples:

- 1: Input: Encoder differential signal Power supply: 24V Output: 0-5V level
 Type No.: DIN44 IAP-S5-P1-O1

Signal Isolators & Conditioners

2: Input: Encoder differential signal Power supply: 12V Output: 0-24V level

Type No.: DIN44 IAP-S5-P2-O3

3: Input: 0-5V level Power supply: 24V Output: 0-24V level

Type No.: DIN44 IAP-S2-P1-O3

4: Input: 0-5V level Power supply: 12V Output: open collector

Type No.: DIN44 IAP-S2-P2-O4

6: Input: 0-24V Power supply: 24V Output: differential signal

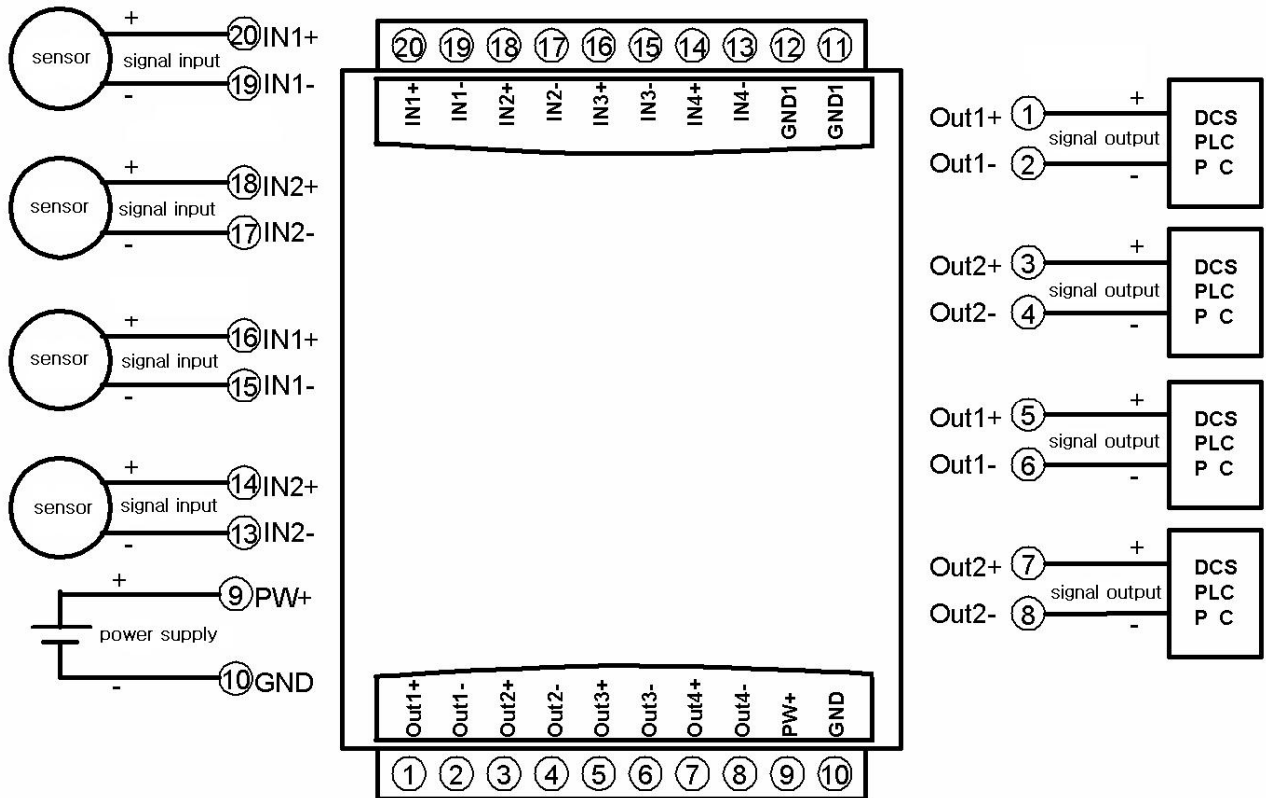
Type No.: DIN44 IAP-S4-P1-O5

General Parameters:

Name		Test Condition	Min.	Type	Max.	Units
Isolation voltage		1min	1500	3000		VDC
Signal input	Amplitude(Vp-p)		0.2	10	60	V
	Frequency		0	10	500	kHz
	Input Resistance		10			kΩ
	Input Current	5V input		0.45		mA
Signal output	Amplitude(Vp-p)	O1:output level 0-5V		5		V
	Frequency		0	10	500	kHz
	Voltage(high level)	O1:output level 0-5V		5		V
	Voltage(low level)			0	0.05	V
	Current(high level)			2	5	mA
	Current(low level)			2	8	mA
	voltage	O4: Open collector output		5	30	V
	current			3	10	mA
Response time				1500		ns
Power supply	voltage	User-defined	3.3	12	24	VDC
	current	VD=12V		150		mA
Power loss				2		W
Operation Temperature			-45		85	℃
Storage Temperature			-45		85	℃

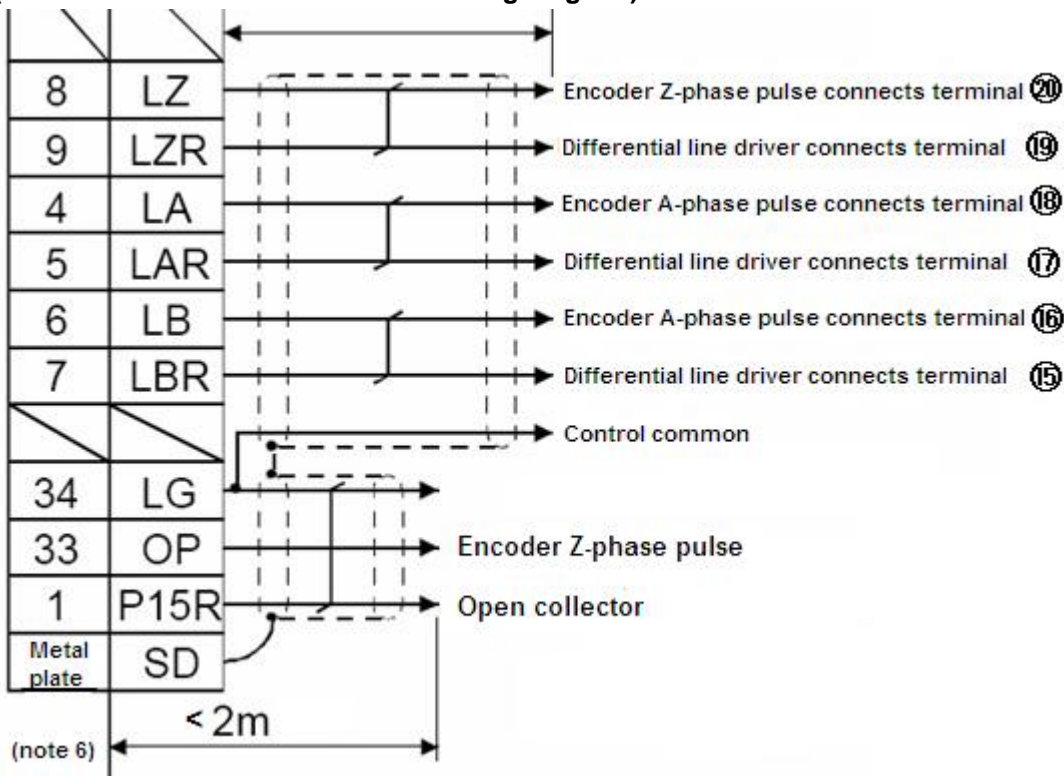
Footprint and wire diagram:

PIN	Name	Description	PIN	Name	Description
1	OUT1+	Signal output 1+	11	GND1	Signal input Ground
2	OUT1-	Signal output 1-	12	GND1	Signal input Ground
3	OUT2+	Signal output 2+	13	NC	Signal input 4-
4	OUT2-	Signal output 2-	14	NC	Signal input 4+
5	OUT3+	Signal output 3+	15	IN3-	Signal input 3-
6	OUT3-	Signal output 3-	16	IN3+	Signal input 3+
7	OUT3+	Signal output 4+	17	IN2-	Signal input 2-
8	OUT3-	Signal output 4-	18	IN2+	Signal input 2+
9	PW+	Power supply +	19	IN1-	Signal input 1-
10	GND	Power supply -	20	IN1+	Signal input 1+

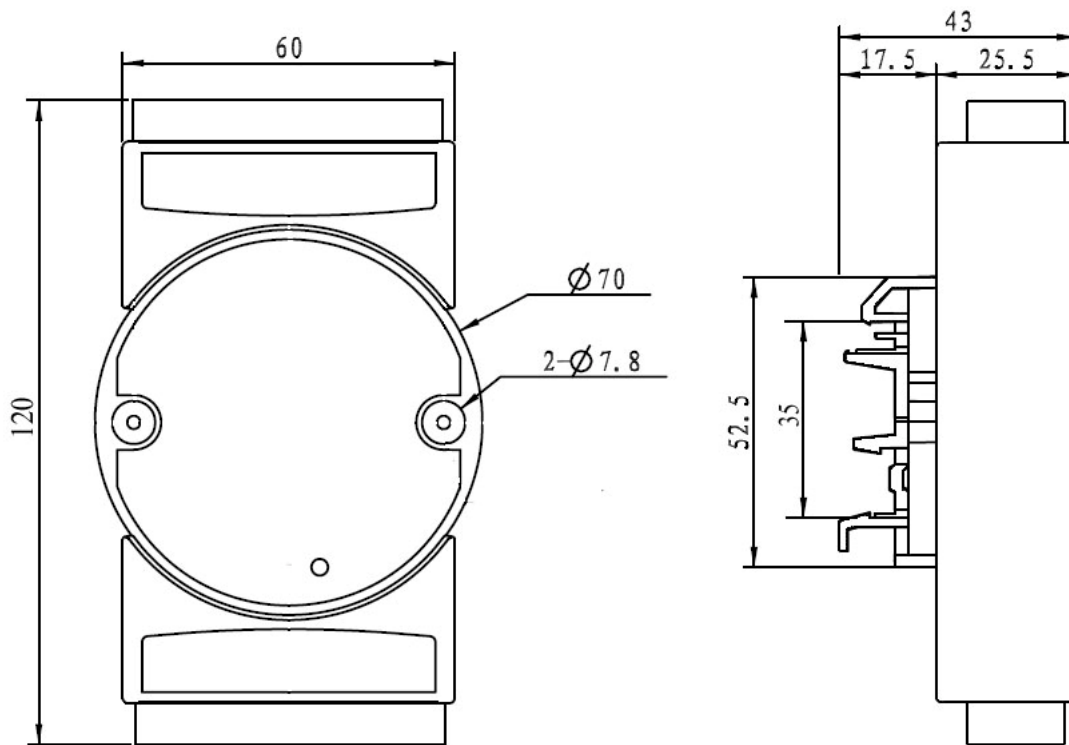


Application Connection example:

(connect Mitsubishi servo encoder wiring diagram)



Size (unit:mm) DIN35 rail-mounted



Note:

1. Before using, according to packing lists, and product labels, check the quantity, models and specifications
2. When measure the signal directly, please set the terminal tighten
3. There are no damaged insulation, conductive dust and corrosive fumes of metal in the environment
4. Installation pitch $\geq 10\text{mm}$
5. We have adjusted well, do not adjust arbitrarily
6. Two years warranty. But if clients damage products by themselves or tear off any labels on the product, we can not exchange
7. Products can not been used in strong magnetic field
8. Internal no anti-lightning circuit
9. Specifications subject to change without notice

Copyright

Copyright © 2012 Shenzhen WAYJUN Industrial Automation

Brand

In this manual, mentioned other trademarks and copyright belongs to their respective owners.