

Mobile RS232/RS485 Serial Port Debugging Assistant WJ106



Product features:

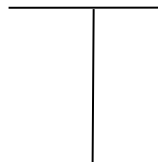
- Debugging serial ports without the need for a computer, mobile phone, or WJ106 module
- The phone does not need to install drivers, it can be connected to the module through WiFi
- Can debug RS232 interface and RS485 interface
- Mobile phones can send test data and receive device data
- The baud rate and parity of RS232/485 can be modified
- Can debug Modbus devices and automatically calculate CRC
- Supports hexadecimal and string sending
- Parameter settings can be saved, and the parameters will be automatically set the next time the machine is turned on
- Support automatic transmission of data to the serial port after a DI switch change
- Small size, easy to carry, ready to debug serial devices at any time
- Patent products, counterfeiting will be prosecuted
- Dimensions: 79 x 69.5x 25mm

Typical applications:

- Industrial control equipment debugging
- Industrial control debugging RS232/485 communication
- Switch triggers a serial port command

Product model:

WJ106 - 232/485 – WiFi



Communication interface 2

WiFi: for WiFi network interface

Communication interface 1

232/485: Supports RS232 interface or RS485 interface, can be selected through the webpage

WJ106 General Parameters:

(Typical @+25 °C, Vs is 24VDC)

Transmission distance: RS232-15 meters,
RS485 to 1000 meters

Web page: webpage access module, webpage setting module parameters.

Protection: Built in TVS overvoltage protection;

Interface: WiFi network interface; RS232 interface or RS485 interface

Working power supply:+8~32VDC wide power supply range, with internal anti reverse and overvoltage protection circuits

Power consumption: less than 1W

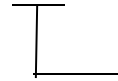
Working temperature: -20~+70 °C

Working humidity: 10~90% (no condensation)

Storage temperature: -45~+80 °C

Storage humidity: 10~95% (no condensation)

Dimensions: 79 mm x 69.5mm x 25mm



Pin definition and wiring:

Pin	name	Description	Pin	name	Description
one	PW+	Positive end of power supply	five	DI	DI input terminal
two	GND	Negative terminal of power supply, signal common ground	six	GND	232 data GND
three	485-A	485 data interface A	seven	RXD	232 data receiving RXD
four	485-B	485 data interface B	eight	TXD	232 data transmission TXD

Note: The pins with the same name are internally connected

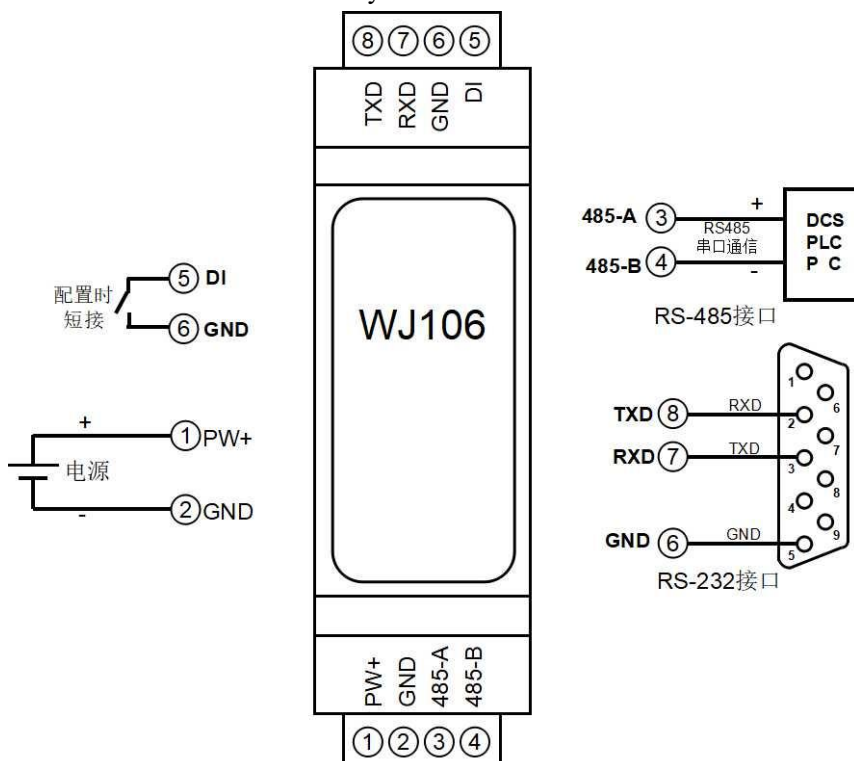


Figure 3 Wiring diagram of WJ106 module

Firstly, configure the WJ106 module through your mobile phone

	<p>1. Put the module into AP mode</p> <p>Open the wireless LAN on your phone or Go to "Settings → WLAN" and find the WiFi name "wifi888" to connect.</p>
	<p>2. Enter the password.</p> <p>The factory password for this module is: 12345678, then "Join".</p>

12:00 192.168.4.1 wifi888 5G

登录 取消

通讯设置

RS232或RS485选择
RS232通讯

波特率
19200

数据位
8 bit

校验位
NONE

停止位
1 bit

循环发送时间间隔 (ms)
0

自动发送附加位
不发送

显示发送和接收时间
不显示

开关量触发时发送
不发送

保存为默认设置

发送

发送

01 03 00 00 00 08

16进制 0 Reset

3. Enter the settings interface

Please modify the following parameters according to actual needs:

(1) RS232 or RS485 selection

Communication port selection: RS232 or RS485

(2) Baud rate data bit checksum stop bit

Fill in the relevant configuration of the serial port.

(3) Cycle sending time interval

Set the time interval for cyclic transmission in mS. If set to 0, the data will not be sent in a cyclic manner.

(4) Automatically send additional bits

Automatically add characters such as carriage return, line break, or MODBUS CRC check after each data transmission.

(5) Display sending and receiving times

Set whether to display sending and receiving times.

(6) Send when the switch is triggered

Set the way to send when the switch is triggered.

(7) Save as default settings

Save the above settings.

(8) Send

Click the "Send" button to send the data in the following editing box to the corresponding serial port, RS232 or RS485.

接收

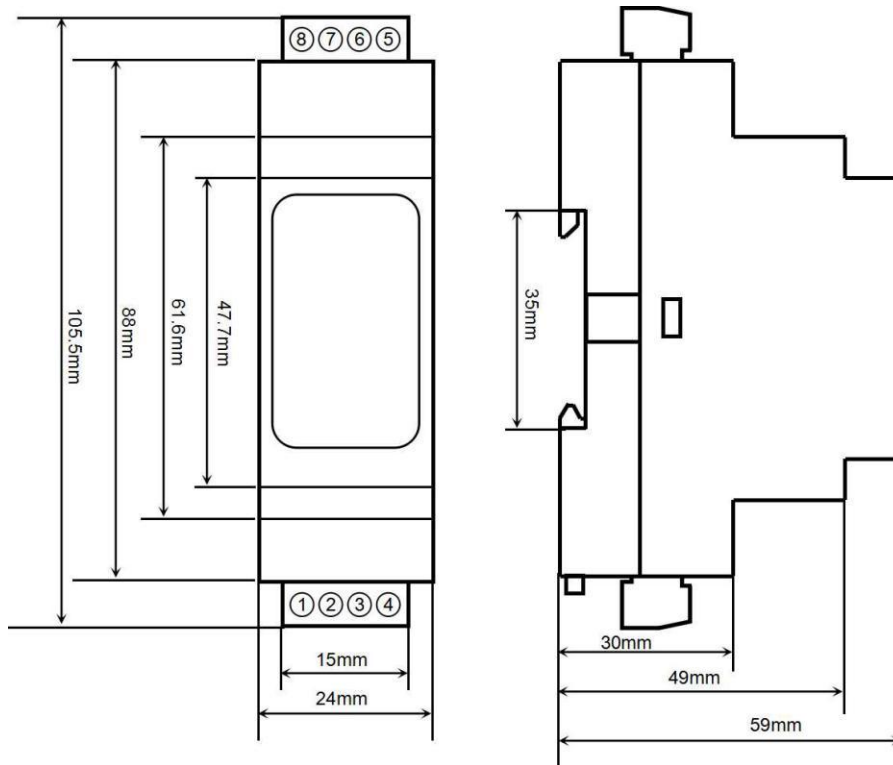
16进制 Reset

清除显示

版本:V1.0

(9) Receiving
Display data sent through serial communication.

Dimensions: (Unit: mm)



Can be installed on standard DIN35 rails

guarantee:

Within two years from the date of sale, if the user complies with the storage, transportation, and usage requirements and the product quality is lower than the technical specifications, it can be returned to the factory for free repair. If damage is caused due to violation of operating regulations and requirements, device fees and maintenance fees shall be paid.

Copyright:

Copyright © 2023 Shenzhen Weijunrui Technology Co., Ltd.

Without permission, no part of this manual may be copied, distributed, translated, or transmitted. This manual is subject to modification and update without prior notice.

Trademark:

The other trademarks and copyrights mentioned in this manual belong to their respective owners.

Version number: V1.0

Date: May 2023