

Resistance potentiometer electronic ruler to RS-485, displacement angle to Modbus module WJ123

Product features:

- Resistance potentiometer electronic ruler signal acquisition and conversion to RS-485 output
- Using a 12 bit AD converter, the measurement accuracy is better than 0.1%
- The accuracy of the calibration module can be programmed through the RS-485 interface
- Isolation withstand voltage between signal input/output 1000VDC
- Wide power supply range: 8~32VDC
- High reliability, easy programming, and easy application
- Standard DIN35 rail installation, convenient for centralized wiring
- Users can program module addresses, baud rates, etc
- Supports Modbus RTU communication protocol and automatic recognition protocol
- Industrial flame retardant shell, RS485 port surge protection
- The AD conversion rate can be programmed and set

Typical applications:

- Potentiometer, displacement signal measurement
- RS-485 remote I/O, data acquisition
- Electronic ruler, angle measurement, etc
- RS-485 bus industrial automation control system
- Industrial site signal isolation and long-distance transmission
- Equipment operation monitoring
- Measurement of sensor signals
- Acquisition and recording of industrial field data
- Development of medical and industrial control products

Product Overview:

The WJ123 product implements signal acquisition between sensors and hosts for detecting analog signals. The WJ123 series products can be applied in RS-485 bus industrial automation control systems, various potentiometer resistance signal measurement, monitoring, industrial field signal isolation, and long-distance transmission, etc.

The product includes power isolation, signal isolation, linearization, A/D conversion, and RS-485 serial communication. Each serial port can connect up to 255 WJ123 series modules, and the communication method adopts ASCII code communication protocol or MODBUS RTU communication protocol. The baud rate can be set by code and can be hung on the same RS-485 bus as control modules from other manufacturers, making it easy for computer programming.



diagram 1 WJ123 module appearance diagram

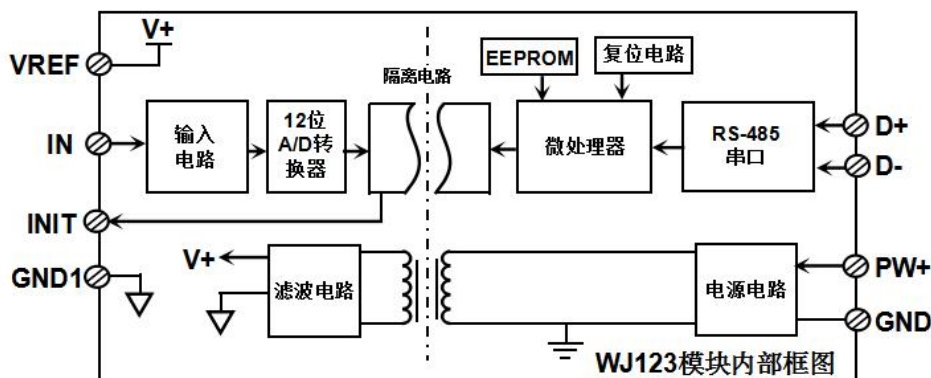


Figure 2 Internal Block Diagram of WJ123 Module

The WJ123 series products are intelligent monitoring and control systems based on microcontrollers. All user set calibration values, addresses, baud rates, data formats, checksum statuses, and other configuration information are stored in non-volatile memory EEPROM.

The WJ123 series products are designed and manufactured according to industrial standards, with isolation between signal inputs/outputs. They can withstand 1000VDC isolation voltage, have strong anti-interference ability, and high reliability. The working temperature range is -40 °C to +85 °C.

Function Introduction:

The WJ123 signal isolation acquisition module can be used to measure the resistance signal of a three wire potentiometer.

1、 Potentiometer signal input

12 bit acquisition accuracy, potentiometer resistance signal input. The product has been fully calibrated before leaving the factory. Users do not need to calibrate.

2、 Communication Protocol

Communication interface: 1 standard RS-485 communication interface.

Communication Protocol: Supports two protocols, the character protocol defined by the command set and the MODBUS RTU communication protocol. The module automatically recognizes communication protocols and can achieve network communication with various brands of PLCs, RTUs, or computer monitoring systems.

Data format: 10 digits. 1 start bit, 8 data bits, 1 stop bit, no checksum.

The communication address (0-255) and baud rate (2400, 4800, 9600, 19200, 38400, 57600, 115200bps) can be set;

The communication network can reach a maximum distance of 1200 meters and is connected through twisted pair shielded cables.

High anti-interference design of communication interface, ± 15KV ESD protection, communication response time less than 100mS.

3、 anti-interference

Checksums can be set as needed. There is a transient suppression diode inside the module, which can effectively suppress various surge pulses, protect the module, and the internal digital filter can also effectively suppress power frequency interference from the power grid.

Product selection:

WJ123 - R - 485
 Input resistance signal value communication interface
 The supported **four** Output as RS-485

Note: It must be a 3-wire potentiometer input, and for 2-wire resistance measurement, please use the WJ121 series.

Selection example: Model: **WJ123-R-485** represents the potentiometer signal input with a resistance range of 100 Ω~500K Ω, and the output is RS-485 interface

WJ123 General Parameters:

(Typical @+25 °C, Vs is 24VDC)

Input type: Three wire potentiometer resistor input, with a resistance range of 100 Ω~500K Ω.

Accuracy: 0.1%

Temperature drift: ± 50 ppm/°C (± 100 ppm/°C, maximum)

Input impedance: greater than 1M Ω

Bandwidth: -3 dB 10 Hz

Conversion rate: 10Sps (factory default value, users can modify the conversion rate by issuing commands.)

You can set the AD conversion rate to 2.5 SPS, 5 SPS, 10 SPS, and 20 SPS by sending commands.

Note: Please recalibrate the module after modifying the conversion rate, otherwise the measured data may have deviations. You can also specify the conversion rate when placing an order, and we will recalibrate the product according to the conversion rate you require when it leaves the factory.

Common mode rejection (CMR): 120 dB (1k Ω Source Imbalance @ 50/60 Hz)

Normal mode suppression (NMR): 60 dB (1k Ω Source Imbalance @ 50/60 Hz)

Input protection: overvoltage protection, overcurrent protection

Communication: RS-485 standard character protocol and MODBUS RTU communication protocol

Baud rates (2400, 4800, 9600, 19200, 38400, 57600, 115200bps) can be selected by software

The address (0-255) can be selected by software

Communication response time: 100 ms maximum

Working power supply:+8~32VDC wide power supply range, with internal anti reverse and overvoltage protection circuits

Power consumption: less than 1W

Working temperature: -45~+80 °C

Working humidity: 10~90% (no condensation)

Storage temperature: -45~+80 °C

Storage humidity: 10~95% (no condensation)

Isolation withstand voltage: 1KVDC between input/output, 1 minute, leakage current 1mA

The RS-485 output and power supply are grounded together.

Surge resistant voltage: 1KVAC, 1.2/50us (peak value)

Dimensions: 106 mm x 59mm x 24mm

Pin definition:

Pin	name	Description	Pin	name	Description
one	PW+	Positive end of power supply	five	INIT	Initial state setting
two	GND	Negative end of power supply	six	GND1	Signal input ground, potentiometer ground wire
three	DATA+	RS-485 signal positive terminal	seven	IN	Potentiometer center tap
four	DATA-	RS-485 signal negative terminal	eight	VREF	Potentiometer reference power cord

Table 1 Pin Definition

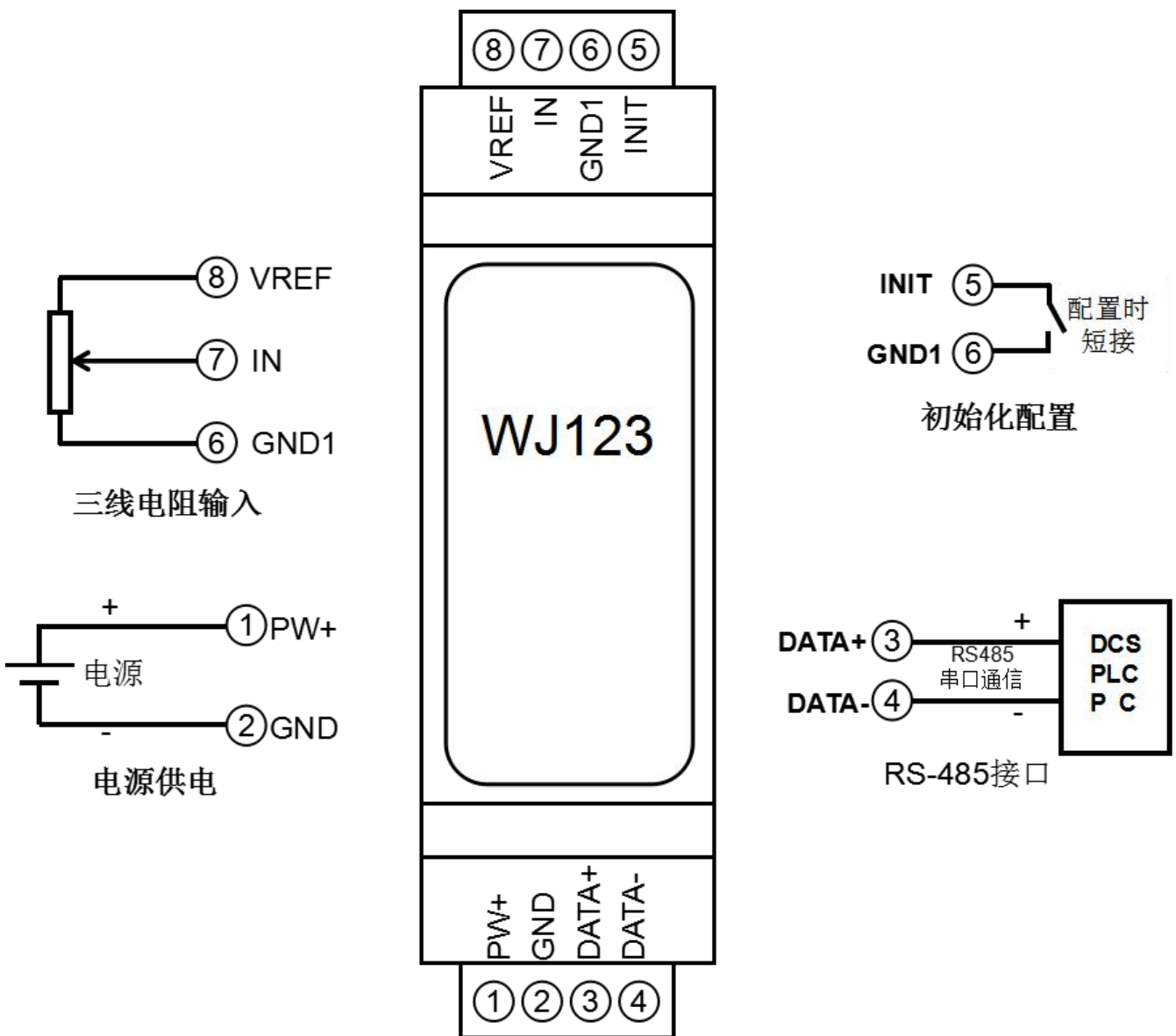


Figure 3 Wiring diagram of WJ123 module

WJ123 Character Protocol Command Set:

The factory initial settings of the module are as follows:

The address code is 01

Baud rate 9600 bps

Prohibition of checksum verification

If using an RS-485 network, a unique address code must be assigned, which is a hexadecimal number between 00 and FF. Since the address codes of new modules are the same, their addresses will conflict with other modules. Therefore, when building the system, you must reconfigure the addresses of each WJ123 module. After connecting the power line and RS485 communication line of the WJ123 module, the address of the WJ123 module can be modified through configuration commands. The baud rate and checksum status also need to be adjusted according to the user's requirements. Before modifying the baud rate and checksum status, the module must first enter the default state, otherwise it cannot be modified.

Method to put the module into default state:

The WJ123 module has a special pin labeled as Initiat. Short circuit the Initiat pin to the GND1 pin, and then turn on the power. At this point, the module enters the default state. In this state, the configuration of the module is as follows:

The address code is 00

Baud rate 9600 bps

Prohibition of checksum verification

At this point, the baud rate, checksum status, and other parameters of the WJ123 module can be modified through configuration commands. When the specific configuration of a module is uncertain, the Initiat pin can also be short circuited to the GND1 pin, and then the power can be turned on to put the module into default state, and then the module can be reconfigured.

The character protocol command consists of a series of characters, such as the prefix, address ID, variables, and optional checksum bytes.

Command format: **(Leading Code) (Addr) (Command) [data] [checksumary]**

The **leading code** is the first letter in the command. All commands require a command prefix, such as %, \$, #, @ Wait.

1-character

The address code of the **(Addr)** module, if not specified below, ranges from 00 to FF (hexadecimal). **2-character**

(Command) displays command code or variable values. **Variable length**

[data] Some data required for output commands. **Variable length**

The **Checksum** in parentheses is an optional parameter that is only required when checksum is enabled. **2-character**

When checksum is enabled, [Checksum] is required. It occupies 2 characters. Both commands and responses must be accompanied by checksum features. The checksum is used to check all input commands to help you detect errors in host to module commands and module to host responses. The checksum character is placed after the command or response character and before the carriage return.

Calculation method: Two characters, hexadecimal number, which is the sum of the ASCII code values of all the characters previously sent, and then combined with the hexadecimal number 0xFF to obtain the result.

Application example: Prohibit checksum

User command **\$002**

Module response! **00020600 (cr)**

Enable checksum

User command **\$002B6**

Module response! **00020600 A9 (cr)**

'\$' = 0x24 '0' = 0x30 '2' = 0x32

B6=(0x24+0x30+0x30+0x32) AND 0xFF

'!' = 0x21 '0' = 0x30 '2' = 0x32 '6' = 0x36

A9=(0x21+0x30+0x30+0x30+0x32+0x30+0x36+0x30+0x30) AND 0xFF

Response to Command:

The response information depends on various commands. The response also consists of several characters, including the initial code, variables, and ending identifier. There are two types of initial codes for response signals, '!' Or '>' represents a valid command while '?' It represents invalidity. By checking the response information, it is possible to monitor whether the command is valid

Note: In some cases, many commands use the same command format. To ensure that the address you are using is correct in a command, if you use the wrong address that represents another module, the command will take effect in that module, resulting in an error.

2. Commands must be entered in uppercase letters.

1. Read measurement data command

Explanation: Read back the value of the potentiometer from the module, with a default range of 000.00~100.00, representing the percentage of the potentiometer. If the user has modified the range, the data converted to the new range will be automatically displayed.

Command format: # 01

Parameter description: # delimiter. Hexadecimal is 23H

01 module address, with a value range of 00 to FF (hexadecimal). The factory address is 01, which is converted to hexadecimal as the ASCII code for each character. If address 01 is replaced with hexadecimal, it will be 30H and 31H

Response format: The>(data) (cr) command is valid.

? The AA (cr) command is invalid or an illegal operation.

Parameter description:>delimiter. Hexadecimal is 3EH

(data) represents the retrieved data. Range 000.00~100.00, representing the percentage of potentiometer..

(cr) End symbol, upper computer enter key, hexadecimal is 0DH.

Other instructions: If the format is incorrect, the communication is incorrect, or the address does not exist, the module will not respond.

Application example: User command (character format) # 01

Module response (character format)>+012.00 (cr)

Explanation: The input on the address 01H module is 12% of the potentiometer's full capacity



Enter **# 01** and click send command.

On the received data line, it will display **>+00.0000**

2. Configure WJ123 module command

Explanation: Set the address, input range, baud rate, and checksum status for a WJ123 module. The configuration information is stored in non-volatile memory EEPROM.

Command format: **% AANNTTCFF**

Parameter description: % delimiter.

AA module address, with a value range of 00 to FF (hexadecimal). The factory address is 01, which is converted to hexadecimal as the ASCII code for each character. If address 01 is replaced with hexadecimal, it will be 30H and 31H.

NN represents the new module hexadecimal address, with values ranging from 00 to FF. Convert to hexadecimal to ASCII code for each character. If address 18 is replaced with hexadecimal as 31H and 38H.

TT uses hexadecimal to represent type encoding. The WJ123 product must be set to 00.

CC uses hexadecimal to represent baud rate encoding.

Baud rate code	Baud rate
04	2400 baud
05	4800 baud
06	9600 baud
07	19200 baud
08	38400 baud
09	57600 baud

Table 2 Baud rate codes

FF uses 8 bits in hexadecimal to represent the checksum. Note that from bits0 to bits5, it is not necessary to set it to zero.

Bit7	Bit 6	Bit 5	Bit 4	Bit 3	Bit2	Bit 1	Bit 0
------	-------	-------	-------	-------	------	-------	-------

Table 3 Checksum Code

Bit7: Reserved bit, must be set to zero

Bit6: checksum status, 0: prohibited; For 1: Allow

Bit5-bit0: No need, it must be set to zero.

Response format:!
The **AA (cr)** command is valid.

? The **AA (cr)** command is invalid or an illegal operation, or the Initiat switch is not turned to the Initiat position before changing the baud rate or checksum.

Parameter description:!
The delimiter indicates that the command is valid.

? The delimiter indicates that the command is invalid.

AA represents the input module address

(cr) End symbol, upper computer enter key, hexadecimal is 0DH.

Other instructions: If you are configuring the module for the first time, **AA=01H**, **NN** equals the new address. If the module is reconfigured to change the address and input range. **AA** equals the currently configured address, **NN** equals the current or new address. If you want to reconfigure the module to change the baud rate or checksum status, you must turn the Initiat switch to the Initiat position to enter the default state of the module. At this time, the module address is 00H, that is, **AA=00H**, **NN** is equal to the current or new address.

If the format is incorrect, the communication is incorrect, or the address does not exist, the module will not respond.

Application example: User command% **0111000600**

Module response! **11(cr)**

Explanation:% delimiter.

01 means that the original address of the WJ123 module you want to configure is 01H.

11 indicates that the new module's hexadecimal address is 11H.

00 type code, WJ123 product must be set to 00.

06 represents a baud rate of 9600 baud.

00 indicates that checksum is prohibited.

3. Read configuration status command

Explanation: Read configuration for a designated WJ123 module.

Command format: **\$012**

Parameter description: \$delimiter.

01 module address, with a value range of 00 to FF (hexadecimal).

2 represents the command to read the configuration status

(cr) End symbol, upper computer enter key, hexadecimal is 0DH.

Response format:!
The **AATTCCFF (cr)** command is valid.

? The **AA (cr)** command is invalid or an illegal operation.

Parameter description:!
Boundary symbol.

AA represents the input module address.

TT stands for type code.

CC stands for baud rate encoding. See Table 2

FF is shown in Table 3

(cr) End symbol, upper computer enter key, hexadecimal is 0DH.

Other instructions: If the format is incorrect, the communication is incorrect, or the address does not exist, the module will not respond.

Application example: User command **\$012**

Module response! **01000600(cr)**

Explanation:!
Boundary symbol.

01 indicates that the WJ123 module address is 01H.

00 default value.

06 represents a baud rate of 9600 baud.

00 indicates that checksum is prohibited.

4. Set module AD conversion rate

Description: Set the AD conversion rate of the module. Among them, channel conversion rate=AD conversion rate/number of opened channels. The slower the sampling rate, the more accurate the data collected. Users can adjust it according to their needs. The default conversion rate at the factory is 10SPS.

Note: Please recalibrate the module after modifying the conversion rate, otherwise the measured data may have deviations. You can also specify the conversion rate when placing an order, and we will recalibrate the product according to the conversion rate you require when it leaves the factory.

Command format: **\$AA3R**

Parameter description: \$delimiter.

AA module address, with a value range of 00 to FF (hexadecimal).

3 represents the command to set conversion rate

R conversion rate code, which can range from 0 to 3

Code R	0	one	two	three						
Conversion rate	2.5 SPS	5 SPS	10 SPS	20 SPS						

Response format: **!** The **AA (cr)** command is valid.

? Invalid or illegal operation of **AA (cr)** command

Parameter description: **!** The delimiter indicates that the command is valid.

? The delimiter indicates that the command is invalid.

AA represents the input module address.

(cr) End symbol, upper computer enter key, hexadecimal is 0DH.

Other instructions: If the format is incorrect, the communication is incorrect, or the address does not exist, the module will not respond.

Application example 1: User command **\$0032**

Module response: **! 00 (cr)**

Explanation: Set the AD conversion rate to 10SPS.

Application example 2: User command **\$0033**

Module response: **! 00 (cr)**

Explanation: Set the AD conversion rate to 20SPS.

5. Read module AD conversion rate

Explanation: Read the AD conversion rate of the module. Among them, channel conversion rate=AD conversion rate/number of opened channels. The slower the sampling rate, the more accurate the data collected.

Command format: **\$AA4**

Parameter description: \$delimiter.

AA module address, with a value range of 00 to FF (hexadecimal).

4 represents the read conversion rate command

Response syntax: **!** The **AAR (cr)** command is valid.

? Invalid or illegal operation of **AA (cr)** command

Parameter description: **!** The delimiter indicates that the command is valid.

? The delimiter indicates that the command is invalid.

AA represents the input module address.

R conversion rate code, which can range from 0 to 3

Code R	0	one	two	three						
Conversion rate	2.5 SPS	5 SPS	10 SPS	20 SPS						

(cr) End symbol, enter key on the upper computer (ODH).

Other instructions: If there is a syntax error, communication error, or if the address does not exist, the module will not respond.

Application example 1: User command **\$004**

Module response! **002 (cr)**

Explanation: The current AD conversion rate is 10SPS.

Application Example 2: User Command **\$004**

Module response! **003 (cr)**

Explanation: The current AD conversion rate is 20SPS.

6. Modify module range command

Explanation: Modify the range and data format displayed by the module. The default range is 100 and the data format is two decimal places.

Command format: **\$AA0D (span)**

Parameter description: \$delimiter.

AA module address, with a value range of 00 to FF (hexadecimal). The factory address is 01, which is converted to hexadecimal as the ASCII code for each character. If address 01 is replaced with hexadecimal, it will be 30H and 31H.

0 Set Range Command

D sets the data format, with several decimals and a value range of 0-4. For example, 3 represents 00.000 and has 3 decimals.

(span) represents the fullness of the channel, one symbol plus five numbers, without a decimal point. For example, 100 can be set as+00100

Response format:! The **AA (cr)** command is valid.

? The **AA (cr)** command is invalid or an illegal operation.

Application example 1: Set the module to display output according to the actual 0-5000.0 range

User command **\$0101+05000**

Module response! **01(cr)**

Explanation: \$delimiter.

01 Module Address

0 Set Range Command

1 represents one decimal.

+05000 indicates a range of 5000

Format of data display after setting:+1234.5

7. Read module range command

Explanation: Read the range of the module.

Command format: **\$AA1**

Response format:! The **AA1D (span) (cr)** command is valid. Parameter description refers to the previous command

? The **AA (cr)** command is invalid or an illegal operation.

Application example: User command **\$011**

Module response! **0113+00100 (cr)**

Explanation: ! Boundary symbol.

01 Module Address

1. Read range command

3 means there are 3 decimals.

+00100 indicates a fullness of 100.

8. Reset all parameters set by the above character command to factory settings.

Explanation: The parameters set by the module using the above character commands are restored to factory settings.

Command format: **\$AA900** Set parameters to factory settings.

Parameter description: **AA** module address, value range 00~FF (hexadecimal). The factory address is 01, which is converted to hexadecimal as the ASCII code for each character. If address 01 is replaced with hexadecimal, it will be 30H and 31H.

Response format: ! **AA (cr)** indicates successful setup, and the module will automatically restart.

Application example: User command (character format) **\$01900**

Module response (character format): **01(cr)**

Explanation: Parameters are reset to factory settings.

9. Zero point full-scale calibration command

Explanation: Calibrate the zero and full points of the module. (The **product has been calibrated before leaving the factory**, and **users do not need to calibrate it**)

Command format: **\$AA8 (zero point) (full degree)**

Parameter description: \$delimiter.

AA module address, with a value range of 00 to FF (hexadecimal).

8 Indicate the zero and full commands for the calibration module.

(Zero point) represents the new zero point, in the format of one symbol, three integers, and two decimals.

If +000.16 is set, the actual data will only display 000.00 after reaching 0.16%. Please note that formatting errors may result in failure.

(Full degree) represents the new full degree, in the format of one symbol, three integers, and two decimals.

If set to +098.11, the actual data will display 100.00 when it reaches 98.11%. Please note that formatting errors may result in failure.

Response format: ! The **AA (cr)** command is valid.

? The **AA (cr)** command is invalid or an illegal operation.

Parameter description: ! The delimiter indicates that the command is valid.

? The delimiter indicates that the command is invalid.

AA represents the input module address

(cr) End symbol, upper computer enter key, hexadecimal is 0DH.

Other instructions: If the format is incorrect, the communication is incorrect, or the address does not exist, the module will not respond.

Application example: User command **\$018+010.00+090.00**

Module response: **01(cr)**

Explanation: After calibration of address 01H module, the new zero point is 10% and the full degree is 90%.

Modbus RTU communication protocol:

The factory initial settings of the module are as follows:

The Modbus address is 01

Baud rate 9600 bps

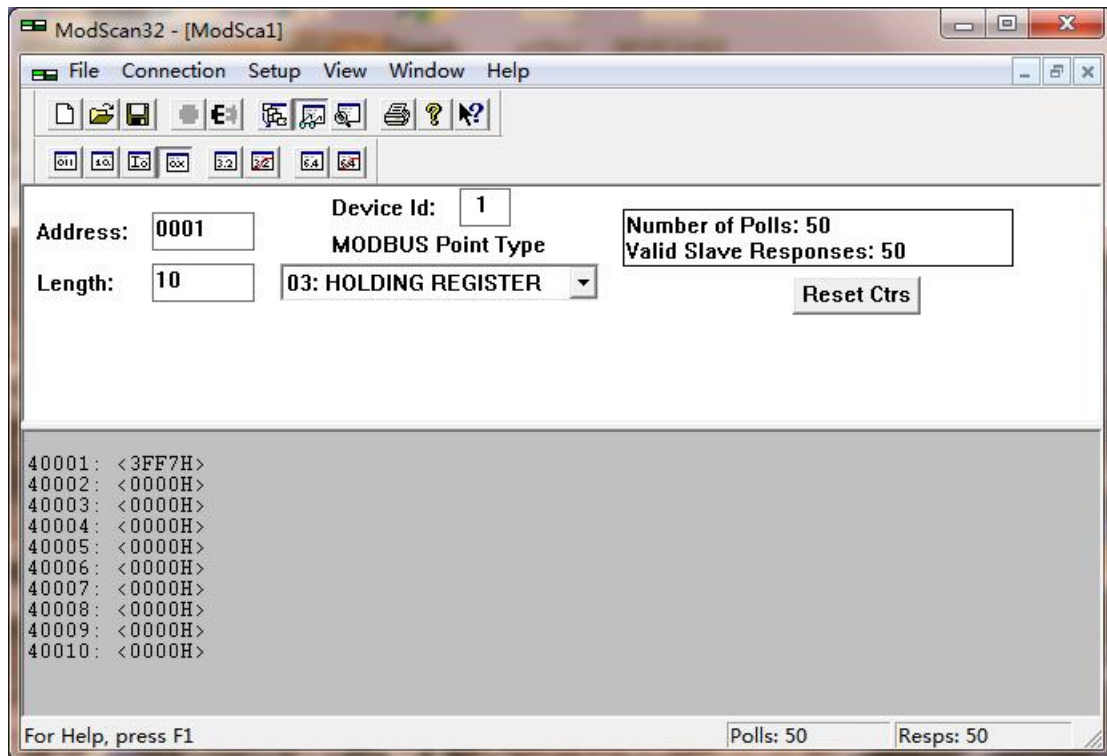
Method to put the module into default state:

The WJ123 module has a special pin labeled as Initiat. Short circuit the Initiat pin to the ground wire (GND1 pin), then turn on the power, and the module will enter the default state. In this state, the module temporarily returns to its default state: address 01, baud rate 9600. When unsure of the specific configuration of a module, users can query the address and baud rate registers 40201-40202 to obtain the actual address and baud rate of the module, or modify the address and baud rate as needed.

Note: Please disconnect Initiat and GND1 during normal use.

Supports Modbus RTU communication protocol **function codes 03** (read hold register), **06** (write single register), and **16** (write multiple registers), with command formats following the standard Modbus RTU communication protocol.

Modbus software testing example:



Supports registers with function codes 03, 06, and 16, and the addresses in the table are decimal numbers.

Address 4X (PLC)	Address (PC, DCS)	Data content	attribute	Data Explanation
forty thousand and one	0000	The value of the potentiometer	read-only	Unsigned integer, range 0~10000, data divided by 100 is the actual percentage, representing the percentage of potentiometer 0~100%
forty thousand and sixty-one	0060	Custom range converted value	read-only	An unsigned integer, converted based on a custom range, with the range defined by the 40161 register
forty thousand one hundred and sixty-one	0160	Module range	Read/Write	Unsigned integer, 0x0001-0.FFFF, convert the data in register 0060 according to this range after modification
forty thousand two hundred and one	0200	Module address	Read/Write	Integer, effective after restart, range 0x0000-0x00FF
forty thousand two hundred and two	0201	Baud rate	Read/Write	Integer, effective after restart, range 0x0004-0x000A 0x0004 = 2400 bps, 0x0005 = 4800 bps 0x0006 = 9600 bps, 0x0007 = 19200 bps 0x0008 = 38400 bps, 0x0009 = 57600 bps 0x000A = 115200bps
forty thousand two hundred and four	0203	Conversion rate	Read/Write	Integer, range 0x0000-0x0003, The factory default is 2. Please recalibrate the module after modification. 0x0000 = 2.5 SPS, 0x0001 = 5 SPS, 0x0002 = 10 SPS, 0x0003 = 20 SPS

Communication example 1: If the module address is 01, sending in hexadecimal: **01 03 00 00 01 84 0A** can retrieve the data from register 40001.

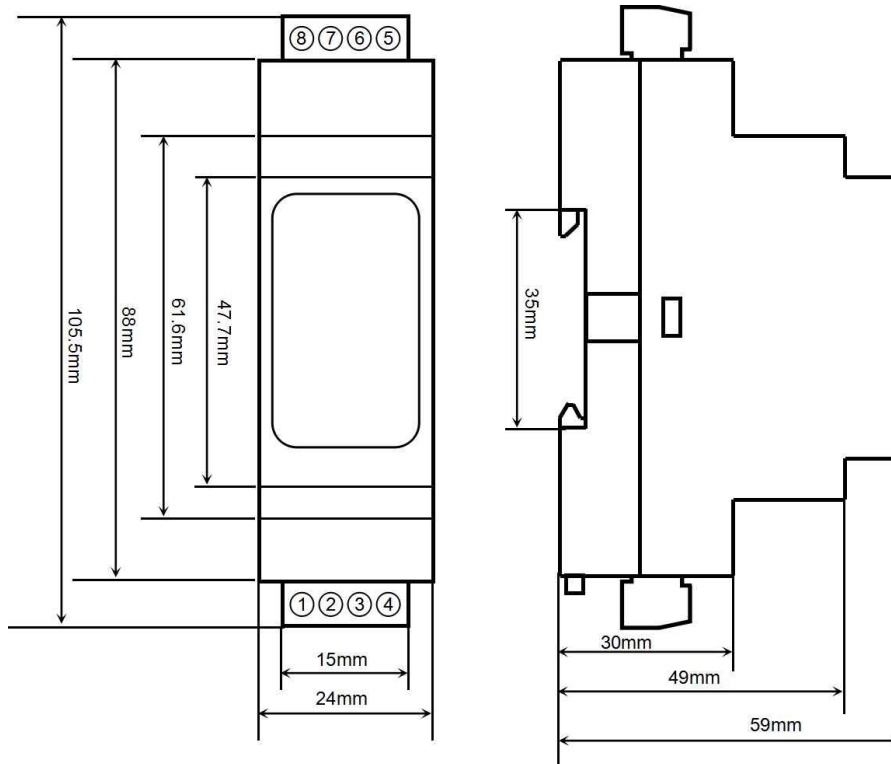
01	03	00	00	00	01	eighty-four	0A
Module address	Read and hold register	Register Address High Bit	Low bit register address	Register quantity high	Low register quantity	CRC check low bit	CRC check high bit

If the module replies: **01 03 02 01 2C B8 09**, the read data is 0x012C, converted to decimal is 300, divided by 100 is 3, indicating that the current input percentage is 3%.

01	03	02	01	2C	B8	09
----	----	----	----	----	----	----

Module address	Read and hold register	The number of bytes in the data	data-high	data-low	CRC check low bit	CRC check high bit
----------------	------------------------	---------------------------------	-----------	----------	-------------------	--------------------

Dimensions: (Unit: mm)



guarantee:

Within two years from the date of sale, if the user complies with the storage, transportation, and usage requirements and the product quality is lower than the technical specifications, it can be returned to the factory for free repair. If damage is caused due to violation of operating regulations and requirements, device fees and maintenance fees shall be paid.

Copyright:

Copyright © 2021 Shenzhen Weijunrui Technology Co., Ltd.

Without permission, no part of this manual may be copied, distributed, translated, or transmitted. This manual is subject to modification and update without prior notice.

Trademark:

The other trademarks and copyrights mentioned in this manual belong to their respective owners.

Version number: V1.0

Date: February 2021