

Pt100/Pt1000 to network Modbus TCP and MQTT, WiFi acquisition module WJ325



Figure 1 Appearance of WJ325 module

Product features:

- Convert Pt100/Pt1000 thermistor to standard Modbus TCP protocol
- Supports communication protocols such as TCP Server, UDP, MQTT, etc
- Built in web page function, data can be queried through web pages
- Wide power supply range: 8~32VDC
- High reliability, easy programming, and easy application
- Standard DIN35 rail installation, convenient for centralized wiring
- Users can set module IP addresses and other parameters on the webpage
- Low cost, small size, modular design
- Dimensions: 79 x 69.5x 25mm

Typical applications:

- Signal measurement, monitoring, and MQTT reporting
- TCP network, data collection
- Intelligent building control, security engineering and other application systems
- Industrial automation control system based on TCP network
- Industrial site signal isolation and long-distance transmission
- Equipment operation monitoring, MES system
- Measurement of sensor signals
- Acquisition and recording of industrial field data
- Development of medical and industrial control products
- Pt100/Pt1000 signal acquisition

Product Overview:

The WJ325 product is an IoT and industrial Ethernet acquisition module that enables transparent data exchange between sensors and networks. The analog data from sensors can be forwarded to the network.

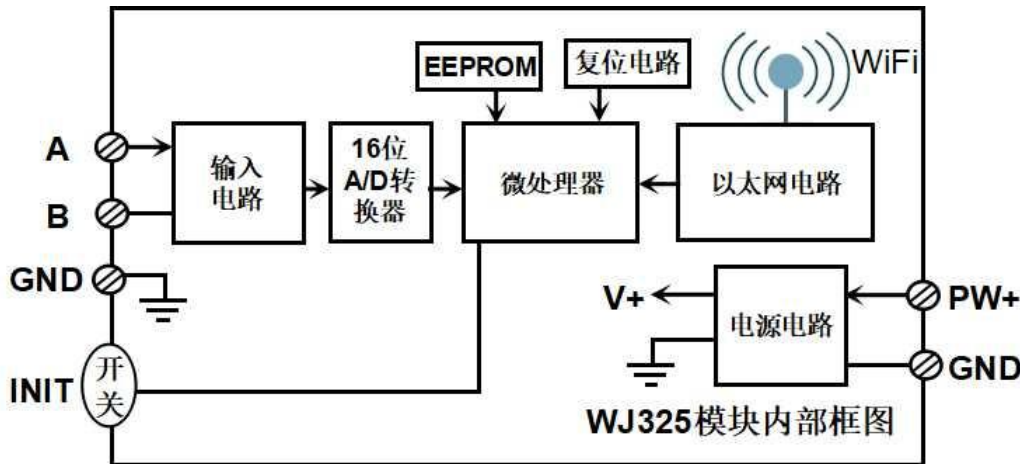


Figure 2 Internal Block Diagram of WJ325 Module

The WJ325 series products include power conditioning, Pt100/Pt1000 temperature signal acquisition, and WiFi network interface communication. The communication method adopts MODBUS TCP protocol. TCP is a transport layer based protocol that is widely used and a reliable connection oriented protocol. Users can directly set module IP addresses, subnet masks, etc. on the webpage. Can be used for monitoring and controlling the operation of sensor devices.

The WJ325 series products are intelligent monitoring and control systems based on microcontrollers, where user set module IP addresses, subnet masks, and other configuration information are stored in non-volatile memory EEPROM.

The WJ325 series products are designed and manufactured according to industrial standards, with strong anti-interference ability and high reliability. The working temperature range is -45 °C to +80 °C.

Function Introduction:

The WJ325 remote I/O module can be used to measure one Pt100/Pt1000 temperature signal.

1. Temperature signal input

16 bit acquisition accuracy, 1 temperature signal input. Measure temperature range -200~600 degrees. The product has been fully calibrated before leaving the factory. During use, users can also easily program and calibrate themselves.

2. Communication Protocol

Communication interface: WiFi network interface. Can connect to WiFi within the local area network.

Communication protocol: MODBUS TCP protocol is adopted to achieve industrial Ethernet data exchange. It can also communicate with modules through TCP sockets.

Network cache: 2K bytes (for both sending and receiving)

Communication response time: less than 10mS.

3. Anti interference

There is a transient suppression diode inside the module, which can effectively suppress various surge pulses and protect the module.

Product model:

WJ325 - Z□ - WiFi - □

Input type: Z □		Communication interface: WiFi		Form of antenna: □	
code	explain	code	explain	code	explain
Z1	PT100 , -200~600°C	WiFi	Output as WiFi network interface	W	External antenna
Z5	PT1000 , -200~600°C			N	Built in antenna
				X	Suction cup antenna

Selection Example 1: Model: **WJ325-Z1-WiFi - W** represents Pt100 signal input, WiFi output, external antenna

Selection Example 2: Model: **WJ325-Z1-WiFi N** represents Pt100 signal input, WiFi output, built-in antenna

Selection Example 3: Model: **WJ325-Z5-WiFi-X** indicates Pt1000 signal input, WiFi output, suction cup antenna

WJ325 General Parameters:

(Typical @+25 °C, Vs is 24VDC)

Input type: Pt100 input/Pt1000 input

Measurement temperature range: -200~600 °C

Accuracy: 0.1%

Temperature drift: ± 50 ppm/°C (± 100 ppm/°C, maximum)

Bandwidth: -3 dB 10 Hz

Conversion rate: 16FPS (factory default value, users can modify the conversion rate on the webpage.)

You can set the AD conversion rate to 2SPS, 4SPS, 8SPS, 16SPS, 32SPS, 50SPS, 80SPS, 100SPS by sending commands

Common mode rejection (CMR): 120 dB (1k Ω Source Imbalance @ 50/60 Hz)

Normal mode suppression (NMR): 60 dB (1k Ω Source Imbalance @ 50/60 Hz)

Input protection: overvoltage protection, overcurrent protection

Communication: MODBUS TCP communication protocol or TCP socket character protocol or MQTT protocol

Web page: Supports web access module and web page setting module parameters.

Interface: WiFi network interface.

Communication response time: 10 ms maximum

Working power supply: +8~32VDC wide power supply range, with internal anti reverse and overvoltage protection circuits

Power consumption: less than 3W

Working temperature: -45~+80 °C

Working humidity: 10~90% (no condensation)

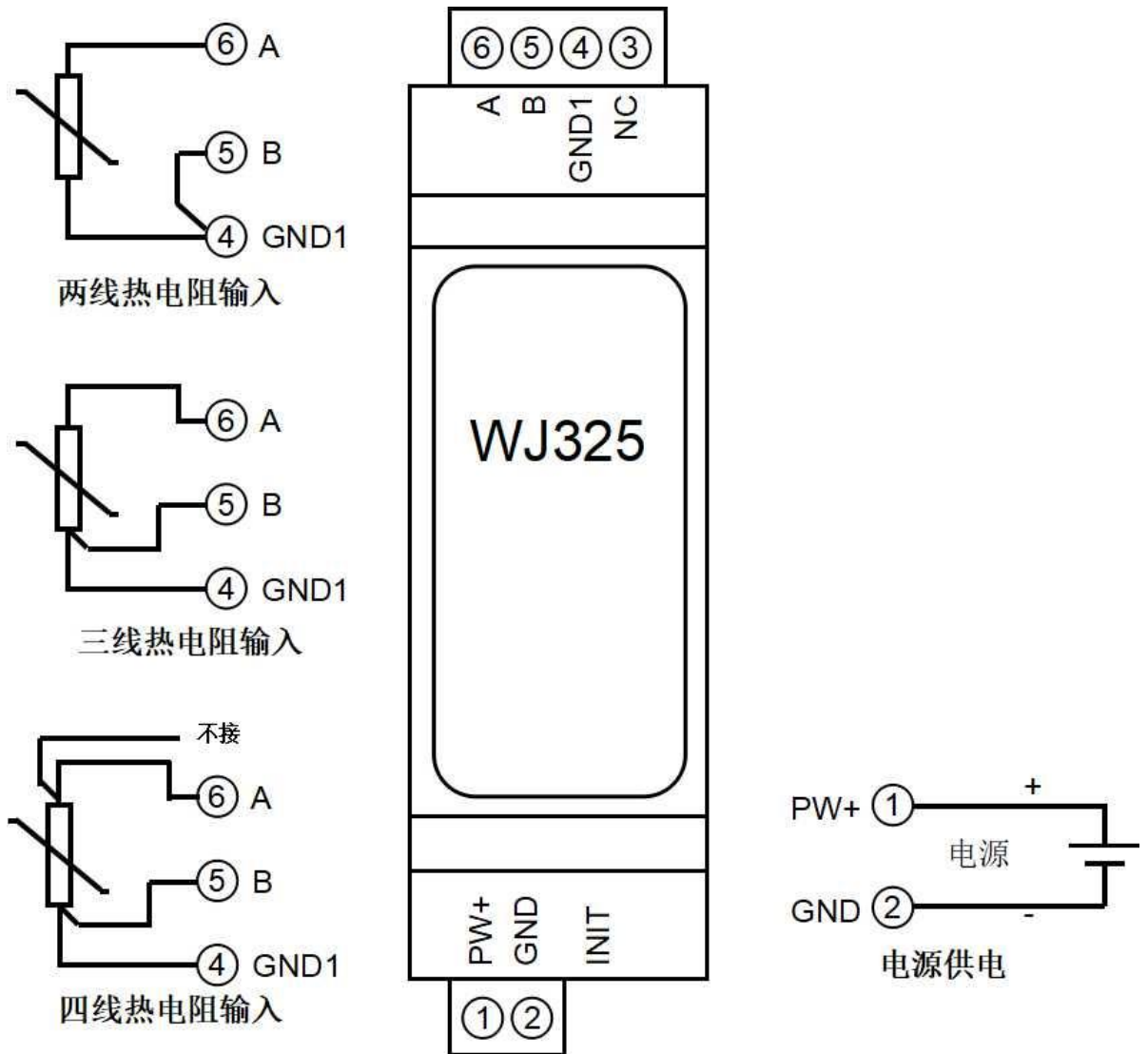
Storage temperature: -45~+80 °C

Storage humidity: 10~95% (no condensation)

Dimensions: 79 mm x 69.5mm x 25mm

Pin definition and wiring:

Pin	name	Description	Pin	name	Description
one	PW+	Positive end of power supply	three	NC	Empty feet
two	GND	Negative terminal of power supply, signal common ground	four	GND1	Simulate signal ground, B2 terminal of thermistor input
switch	INIT	Enter AP configuration mode switch	five	B	B1 terminal of thermistor input
			six	A	The A terminal of the thermistor input



Firstly, configure the WJ325 module through your mobile phone

 <p>中国移动 11:17 设置 无线局域网 我的网络 wifi8 其他网络</p>	<p>1. Put the module into AP mode</p> <p>(1) Connect the power, press and hold the module's switch (Initiat) for 3 seconds, and then release it. (2) Open the wireless LAN on your phone or Go to "Settings → WLAN" and find the WiFi name starting with "wifi8" to connect.</p>
 <p>中国移动 4G 10:57 输入“wifi8__40:F5:20:07:79:00”的密码 取消 输入密码 加入 密码 您也可以将iPhone靠近任何已接入此网络且已添加您为联系人的iPhone、iPad或Mac，来访问此无线局域网。</p>	<p>The factory password for this module is: 12345678, then "Join".</p>
 <p>中国移动 4G 10:57 192.168.4.1 wifi8__40:F5:20:07:79:00 < > 登录 取消 配置模块参数 在线查看数据 Json批量配置</p>	<p>2. Enter the module webpage.</p> <p>After connecting to the WiFi of the module, wait a few seconds and it will automatically redirect to the built-in webpage of the module, as shown in the left figure. If the phone cannot automatically redirect, you can also open the mobile browser and enter the website 192.168.4.1 to log in. Click on the configuration module parameter link to enter the configuration interface</p>

11:30
5G

192.168.4.1
wifi8

登录 取消

参数设置

采样速率
16 SPS

WiFi设置

WiFi账号
w

WiFi密码
••••••••

工作方式
TCP Server

本地IP设置
手动设置IP

IP地址
192.168.0.5

默认网关
192.168.0.1

子网掩码
255.255.255.0

本地端口
23

远程服务器IP地址
192.168.0.160

远程服务器端口
23

快速上报
关闭快速上报功能

自动上报时间间隔(ms)
0

3. Parameter settings

- (1) Sampling rate: Factory default value: 16SPS, user can modify conversion rates: 2SPS, 4SPS, 8SPS, 16SPS, 32SPS, 50SPS, 80SPS, 100SPS

4. Configure module WiFi parameters

Please modify the following parameters according to actual needs:

- (2) WiFi account: Connect to the WiFi coverage in this area.
- (3) WiFi password: Fill in the WiFi password, if already connected, do not re-enter.
- (4) Local IP settings: If only MQTT protocol is used, it can be set to automatically obtain IP. If you want to access data through Modbus TCP or web pages, it is recommended to manually set it to a fixed IP address to facilitate communication between the IP address and the module.
- (5) IP address: Set the IP address of the module, which must be in the current WiFi network segment and not the same as the IP address of other devices in the local area network. For example, if the IP of the WiFi router is 192.168.0.1, the IP of the module can be set to 192.168.0.7
- (6) Default gateway: The gateway of the module, fill in the IP address of the current WiFi router. For example, if the IP address of a WiFi router is 192.168.0.1, simply fill in this IP address
- (7) Subnet Mask: The subnet mask of the module. If there is no cross network segment, fill in the default value of 255.255.255.0
- (8) Local port: The communication port of the module, and MODBUS communication generally uses port 502.
- (9) Remote server IP address: The remote server IP, TCP client, and UDP server that needs to be connected to.
- (10) Remote server port: The port of the server.
- (11) Automatic reporting interval: The time interval for the module to report data at regular intervals, set to 0 to indicate that data will not be automatically reported.

模块名称

A848FACBC4BB

MQTT设置

打开MQTT功能

MQTT服务器地址

broker.emqx.io

MQTT Client ID

A848FACBC4BB

MQTT用户名

MQTT密码

MQTT端口

1883

MQTT发布主题

pub

MQTT发布时间间隔

2000

MQTT订阅主题

sub

保存并重启

Mac地址:A8:48:FA:CB:C4:BB; 版本:V1.00

- (12) Automatic reporting of count changes: Report a data point when there is a change in the count, which can only be used in situations where the data changes very slowly, otherwise a large amount of data will be sent.
- (13) Module Name: User defined name for a module to distinguish between different modules.
- (14) MQTT settings: If MQTT communication is used, the MQTT function needs to be turned on.
- (15) MQTT server address: Fill in the URL of the MQTT server,
For example: broker.emqx.io
If the local server IP is 192.168.0.100, you can write 192.168.0.100
- (16) Please fill in the MQTT client ID, username, password, port, publish topic, subscribe topic, and other parameters according to the requirements of the MQTT server. The QoS of MQTT is 0 and cannot be modified.
- (17) MQTT publishing interval: The time interval in milliseconds during which the module automatically publishes data to the MQTT server. Set to 0 to cancel the scheduled publishing function.
- (18) Automatic MQTT publishing for DI status changes: default is 'No'. This function is only suitable for situations where the pulse changes very slowly. If any channel has a pulse change, it will publish data to the MQTT server once. It is not recommended to set it to "Yes" for situations with rapid pulse changes.
Otherwise, there will be a large amount of data sent.

5. Save parameters

After completing the parameter settings, click the save and restart button, and the module will save the parameters and automatically restart.



6. View data online on the webpage

Click on the [online data viewing](#) link on the module's homepage to enter the data viewing interface. As shown in the left figure.

If the IP address of the module is 192.168.0.5, users can also obtain JSON format data by accessing the link [192.168.0.5/readData](#).

(1) Temperature value: The actual temperature value entered, unit: °C.



7. Batch setting parameters

Click on the [Json Batch Configuration](#) link on the module's homepage to enter the Batch Settings interface. As shown in the left figure.

The data must be in standard JSON format, and all parameters can be set or only some parameters can be set. If there are many products to be set up, batch setting can save time.

After completing the filling, click the button Save Json data.

Example 1: Only changing the WiFi account password can send:

```

{
  "WifiSsid": "w",
  "WifiPassword": "12345678",
  "setIP": 1,
  "ipAddress": "192.168.0.5",
  "gateway": "192.168.0.1",
  "netmask": "255.255.255.0",
}


```

Example 2: Only modifying MQTT parameters can send:

```

{
  "setMQTT": 1,
  "mqttHostUrl": "broker.emqx.io",
  "port": 1883,
  "clientId": "mqtt_test_001",
  "username": "",
  "passwd": "",
}

```


	<pre>"topic": "mqtt_topic_001", "pubTime": 2000, "pubonchange": 0 }</pre>
	<p>8. The module webpage can also be opened on the local area network</p> <p>If the module is already connected to the local WiFi, you can enter the module IP in the computer or mobile browser, such as 192.168.0.5, to open the module webpage (provided that the computer IP or mobile IP is in the same network segment as the module, and the login operation should be based on the current module IP address), and then enter the internal webpage of the module. You can also configure modules or read module data, and the operation method is the same as the table above.</p>

Character Communication Protocol:

MQTT protocol: After a successful connection, a command is sent to the [MQTT subscription topic](#) of the module, and the replied data is displayed on the [MQTT publication topic](#) of the module.

Under working modes such as **TCP Server, TCP Client, UDP Mode, Web Socket, etc.:** After a successful connection, commands can be sent and data can be received.

1、 Read data command

Send: `# 01` (If timed automatic reporting is set, there is no need to send commands, the module will report data at regular intervals)

Reply: `{"devName": "D8BC38827C5E", "time": 231670, "temp": [103.5907288]}`

Format Description:

The module name '`devName`' can be modified on the webpage as needed

The internal time of the '`time`' module, measured in mS.

The temperature value collected by the "`temp`" module, unit: °C.

You can also read a single set of data:

`#01>temp` **reply:** `{"temp": [103.6882935]}`

3. Read configuration commands

The configuration parameters of the reading module can also be viewed directly on the webpage.

Send: `% 01ReadConfig`

Reply: `{"dataRate": 3, "WifiSid": "w", "WifiPassword": "12345678", "Workmode": 0, "setIP": 1, "ipAddress": "192.168.0.5", "gateway": "192.168.0.1", "netmask": "255.255.255.0", "localPort": 23, "remoteServerIP":`

```
"192.168.0.160", "remotePort": 23, "setQuickUp": 0, "sendTime": 0, "devName": "D8BC38827C5E", "setMQTT": 0,
"mqttHostURL": "broker.emqx.io", "port": 1883, "cronId": "D8BC38827C5E", "username": "", "passwd": "", "topic":
"pub", "pubTime": 2000, "subtopic": "sub", "version": "V1.00", "mac": "D8:BC:38:82:7C5E"}
```

4. Set configuration commands

The configuration parameters of the module can also be set directly on the webpage. You can set all or some parameters, and the module will automatically restart after setting.

send out:

```
%01WriteConfig{"dataRate":3,"WifiSsid":"w","WifiPassword":"12345678","workmode":0,"setIP":1,"ipAddress":"192.
168.0.5","gateway":"192.168.0.1","netmask":"255.255.255.0","localPort":23,"remoteServerIp":"192.168.0.160","remote
Port":23,"setQuickUp":0,"sendTime":0,"devName":"D8BC38827C5E","setMQTT":0,"mqttHostUrl":"broker.emqx.io","
port":1883,"clientId":"D8BC38827C5E","username":"","passwd":"","topic":"pub","pubTime":2000,"subtopic":"sub","ve
rsion":"V1.00","mac":"D8:BC:38:82:7C:5E"}
```

You can also set only a single parameter, such as modifying WIFI: % 01WriteConfig {"WifiSid": "w"}

Reply: ! 01 (cr) indicates successful setting? 01 (cr) indicates a command error

Modbus TCP protocol

Register address description for WJ325 (note: addresses are all decimal numbers)

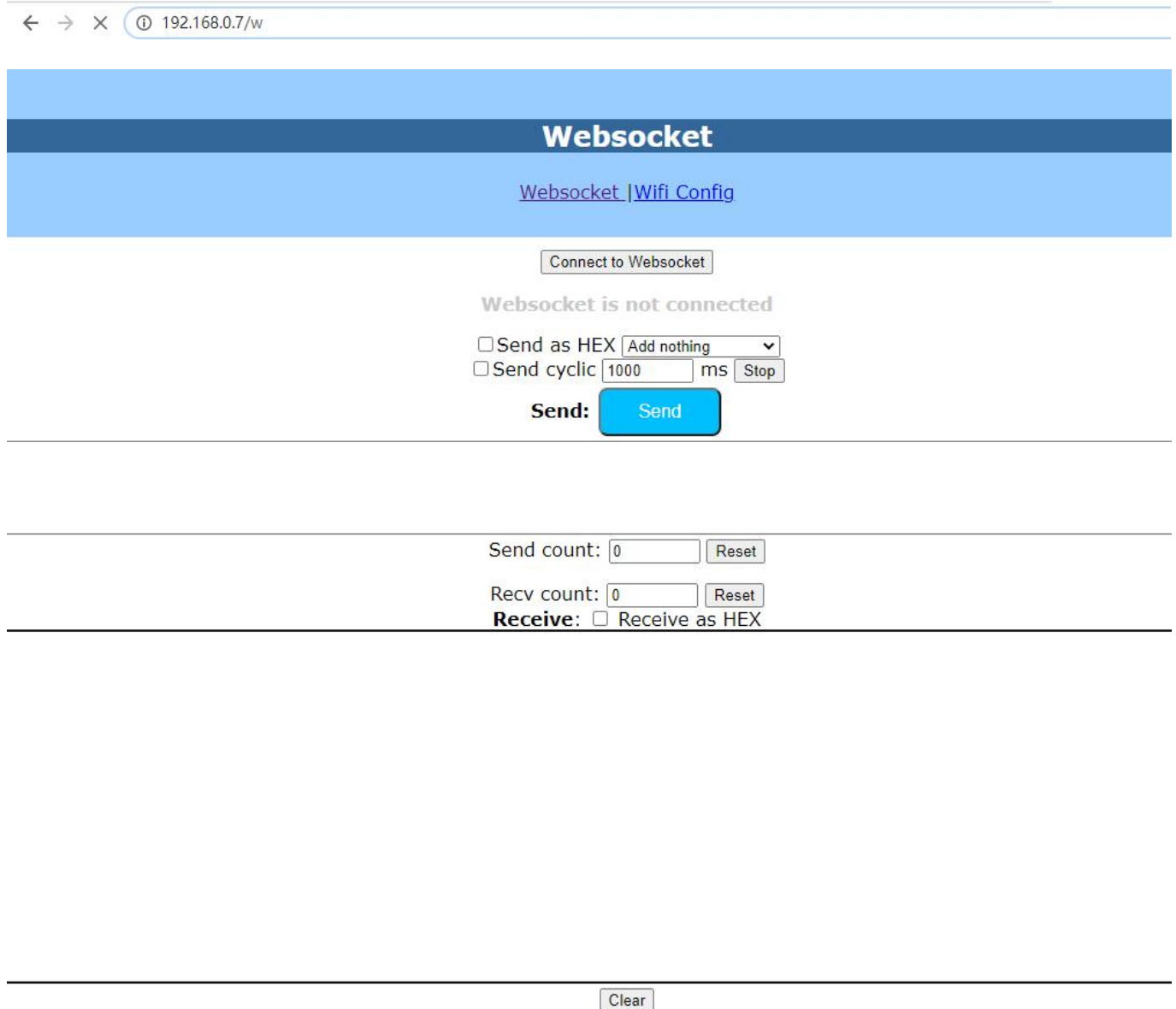
Supports registers with function code 03.

Address (PLC)	4X	Address (PC, DCS)	Data content	attribute	Data Explanation
forty thousand and one		0	Integer temperature value	read-only	The measured temperature data, signed integer, divided by 10 equals the actual temperature. If the data is -8888, it indicates a short circuit in the thermal resistance, If the data is 8888, it indicates a thermoelectric blocking line.
40003~40004		2~3	Actual engineering value	read-only	Measured temperature data, 32-bit floating-point number, The storage order is CDAB For example, channel 0, the low 16 bits are in register 40003, The top 16 bits are in register 40004. If the data is -888.88, it indicates a short circuit in the thermal resistance, If the data is 888.88, it indicates a thermoelectric blocking line.
forty thousand two hundred and eleven		two hundred and ten	Module Name	read-only	High bit: 0x03 Low bit: 0x25

WEBSOCKET communication protocol

If the module is already connected to the local WiFi, you can enter the module IP in the computer or mobile browser, for example: 192.168.0.5, to open the module webpage (provided that the computer IP or mobile IP is in the same network

segment as the module, login to the webpage should be based on the current module IP address), and then enter the module configuration interface. In the configuration interface, you can change the working mode to websocket, save it, wait for 10 seconds, and then enter 192.168.0.5/w to directly enter websocket. If your IP is not 192.168.0.5, you can add/w after your actual IP to enter websocket. It is recommended to use Google Chrome browser or IE10 browser for testing. The Websocket web interface is as follows:



After clicking connect to websocket, if the connection is successful, a green "Connected" message will appear, and then you can send a character protocol command to read the data.

Calibration module:

The product has been calibrated before leaving the factory, and users can use it directly without calibration.

During use, you can also use the product's calibration function to recalibrate the module. When in school, the module needs to input appropriate signals, and different input ranges require different input signals.

To improve calibration accuracy, it is recommended to use the following equipment for calibration:

1. A high-precision resistor box that can be precise to 0.01 ohms

Calibration process

1. Connect the corresponding input signal to the channel that needs to be calibrated according to the input range of the module.

2. Input 0 ohms to the WJ325 module.

After the signal stabilizes, send `$01 {"calibrationCH0": 0}` to the WJ325 module, and the module will perform zero point calibration.

4. Input the resistance signal corresponding to 600 degrees to the WJ325 module.

For example, Pt100, with a full range of 600 degrees, adjust the resistance of the resistance box to 313.708 ohms

For example, Pt1000, with a full range of 600 degrees, adjust the resistance of the resistance box to 3137.08 ohms

After the signal stabilizes, send `$01 {"calibrationCH0": 1}` to the WJ225 module, and the module will perform full-scale calibration.

6. Calibration completed

Common problems with WJ325

1, How to determine the status of a module based on lighting

The **light** is on **twice** for **1 second**: the module is waiting for the configured AP mode and can be connected to the module's WiFi 8 network settings parameters using a mobile phone.

The **light** is on **once** every **1 second**: the module is currently connected to WiFi. If it cannot be connected for a long time, please reset the WiFi parameters of the module.

The **light** is on **once** every **5 seconds**: the module has been connected to WiFi and is working normally.

2. Cross network segment issues

If the IP of the device and the communicating PC are not in the same network segment and are directly connected via Ethernet or under the same sub router, then the two cannot communicate at all.

give an example:

Device IP: 192.168.0.7

Subnet mask: 255.255.255.0

PC's IP: 192.168.1.100

Subnet mask: 255.255.255.0

Due to the device's IP being 192.168.0.7, it is unable to log in to the device's webpage or ping it on the PC.

If you want the two to communicate, you need to set the subnet mask of the device and PC, as well as the subnet mask on the router, to 255.255.0.0, so that you can log in to the module webpage.

3. The device can ping, but the webpage cannot be opened

There may be several reasons for this:

- 1) The device has set a static IP address that conflicts with the IP addresses of existing devices in the network
- 2) The HTTP server port has been modified (default should be 80)
- 3) Other reasons

Solution: Reset the device to an unused IP address; Restore factory settings or enter the correct port when opening the browser.

4. Every once in a while, there is a disconnection and reconnection

Every once in a while, there will be a phenomenon of disconnection and reconnection

Reason: There is an issue of IP address conflict between the serial server and other devices

5. Communication is abnormal, network connection cannot be established, or search cannot be found

The firewall of the current computer needs to be turned off (in the Windows firewall settings)

Three local ports must not conflict, meaning they must be set to different values. Default values are 23, 26, and 29

Having illegal MAC addresses, such as full FF MAC addresses, may result in inability to connect to the target IP address or duplicate MAC addresses.

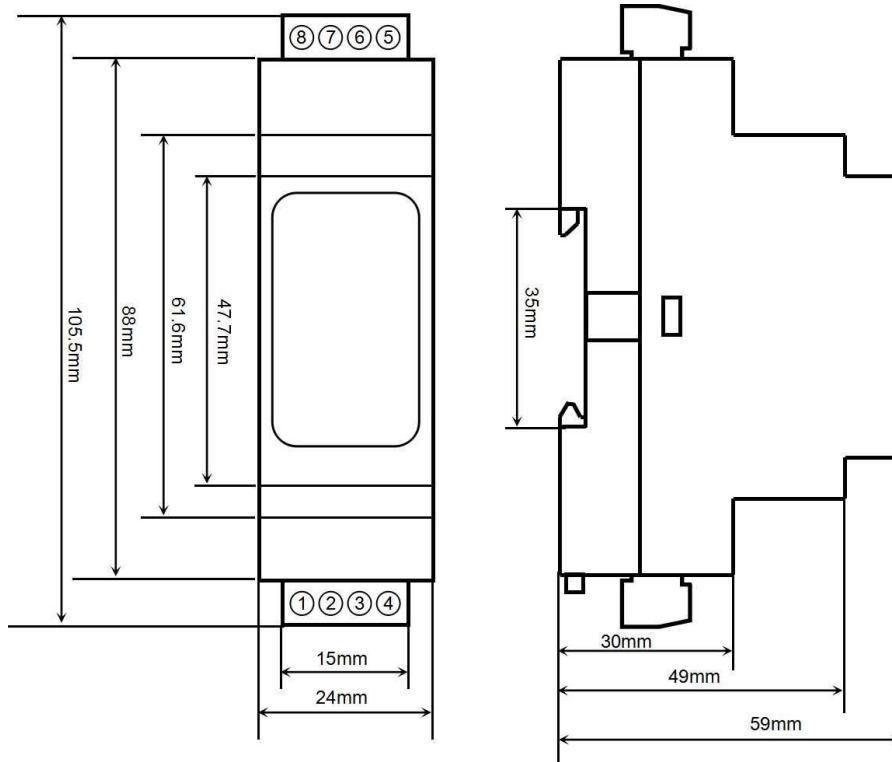
Illegal IP addresses, such as network segments that are not in the same network segment as the router, may not be able to access the external network.

6. Hardware problem search

Poor power supply from the power adapter or poor contact of the plug

If the power light and network port light are not on, it means there is no power supply or the hardware is broken

Dimensions: (Unit: mm)



Can be installed on standard DIN35 rails

guarantee:

Within two years from the date of sale, if the user complies with the storage, transportation, and usage requirements and the product quality is lower than the technical specifications, it can be returned to the factory for free repair. If damage is caused due to violation of operating regulations and requirements, device fees and maintenance fees shall be paid.

Copyright:

Copyright © 2023 Shenzhen Weijunrui Technology Co., Ltd.

Without permission, no part of this manual may be copied, distributed, translated, or transmitted. This manual is subject to modification and update without prior notice.

Trademark:

The other trademarks and copyrights mentioned in this manual belong to their respective owners.

Version number: V1.0

Date: January 2024